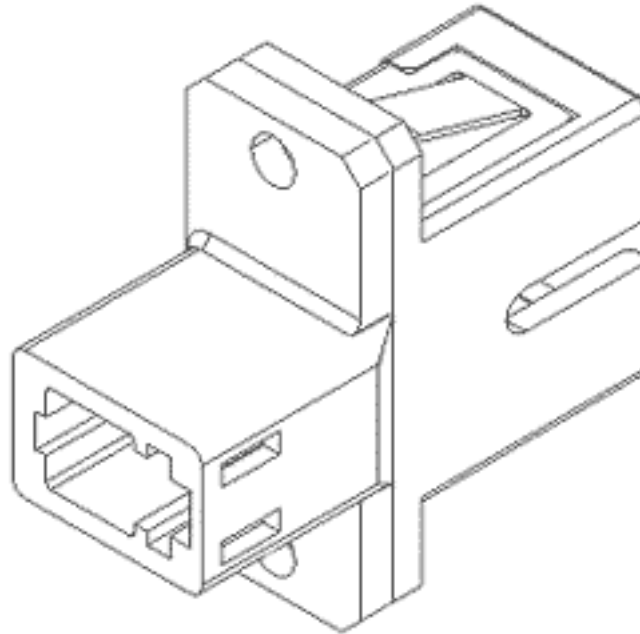




LC/SC Conversion Adapter

CONNECTOR
MB-0093-1

June 2003



This optical adapter enables direct optical connection between an SC plug and an LC plug despite their different ferrule diameters (SC plug: Dia. 2.5, LC plug: Dia. 1.25).

Low insertion loss and high durability are ensured by using a precise zirconia ceramic split sleeve insert. In addition, this adapter can be applied to the same panel pattern as a normal SC adapter without any modification.

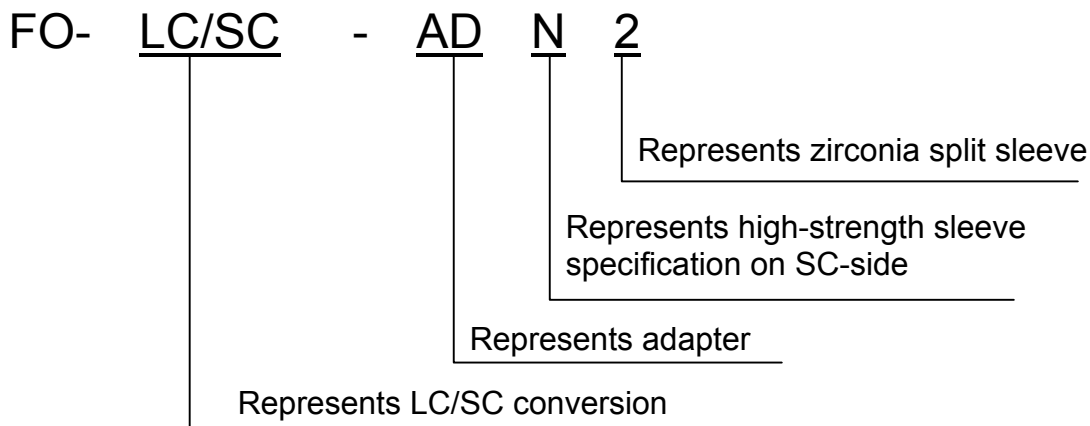
General Specifications

- Insertion loss*: 0.5dB max.
- Durability: 500 mating/unmating cycles

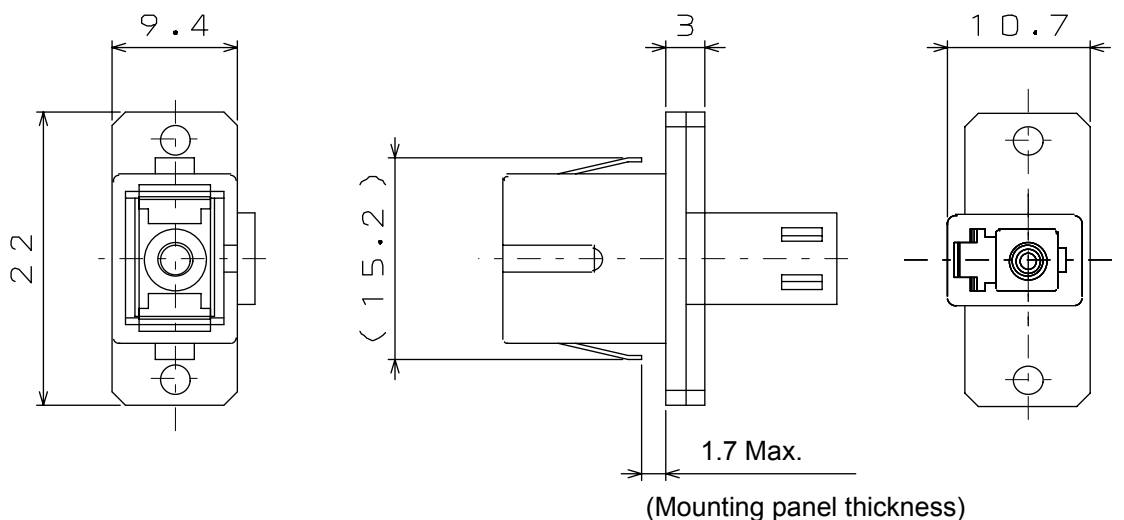
Measuring procedure conforms to IEC 61300

*Insertion loss includes the loss of a pair of master plugs, which are mated to the adapters. Master plugs are PC-polished SC single-mode fiber and PC-polished LC with single mode fiber.

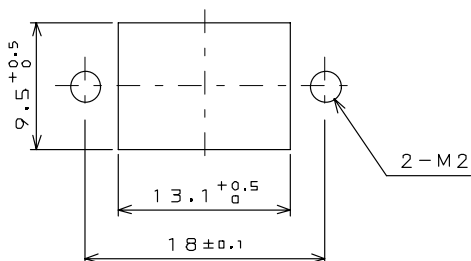
Ordering Information



Dimensions



Panel pattern
(for reference)



Notice: Products shown in this leaflet are made for the applications listed below. However, if the above-mentioned products are to be used in aerospace devices, marine cable-connection devices, atomic power control systems, medical equipment for life-support systems, or any other specific application requiring extremely high reliability, please contact JAE for further information.

Recommended applications: Computers, Office machines, Measuring devices, Telecommunication devices (Terminals, Mobile devices), AV devices, Household applications, FA devices, etc.

Japan Aviation Electronics Industry, Limited

Product Marketing Division

Aobadai Building, 3-1-19, Aobadai, Meguro-ku, Tokyo 153-8539
Phone: +81-3-3780-2787 FAX: +81-3-3780-2946