

**NEW**



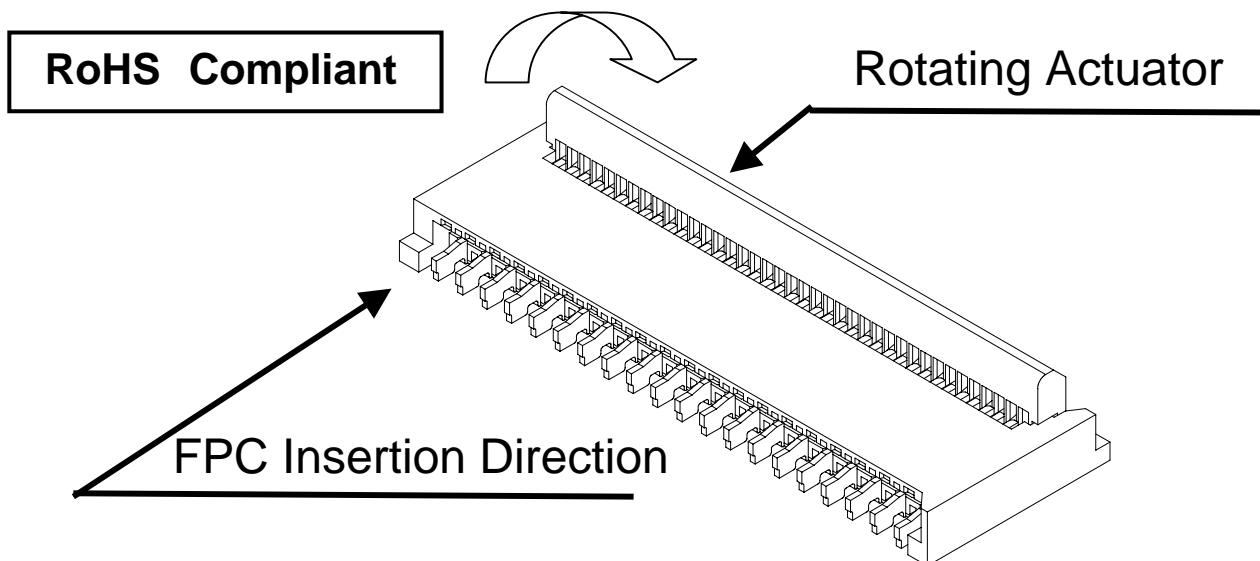
0.3mm Pitch Upper Contact One-touch connector for FPC

CONNECTOR

MB-0154-1

# FB8 Series

November 2006



## < Outline >

The FB8 Series are upper contact 0.3-mm pitch one-touch FPC connectors for compact and small information communication devices such as, mobile PCs, PDAs, LCDs and mobile phones.

## Features

- Upper surface contact 0.3 mm pitch one touch FPC connector
- Easy actuator operation due to rotation mechanism
- Supply of SMT type for automatic mounting with embossed tape
- Connector with 4.3mm depth (when placed to board) and 1.2 mm height  
Longitudinal  $0.3(N-1)+1.6$ mm, low profile product  
(N= Number of positions)
- Contact with solder wicking countermeasure

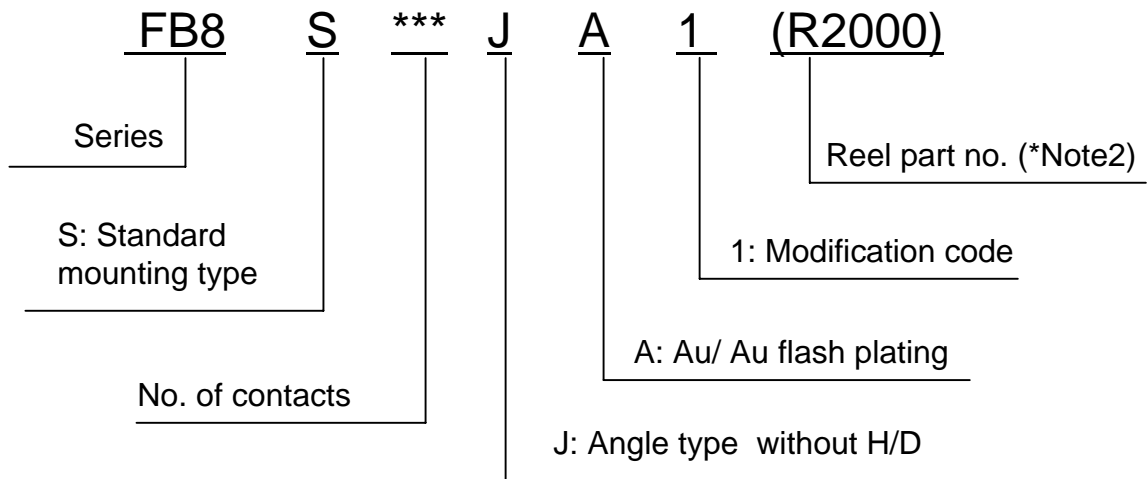
## General Specification

- |  |  |
|--|--|
| ■ No. of contacts : 17, 23, 25, 29, 31, 33,<br>35, 39, 41, 45, 51 pos. | ■ Rated current: 0.35A per pos.  |
| Contact resistance: 20m ohm max.                                       | ■ Rated voltage: AC, DC 50V per pos.                                   |
| ■ Dielectric withstanding voltage :<br>DC250V per minute               | ■ Insulation resistance: 100M ohm min.                                 |
| ■ Operating temperature:<br>-40 Deg. C to +85 Deg. C                   | ■ Contact pitch: 0.3mm staggered pitch                                 |
| ■ Durability: 20 times   | ■ Applicable FPC: 0.3 mm pitch<br>thickness $0.2 \pm 0.03$ with lining |

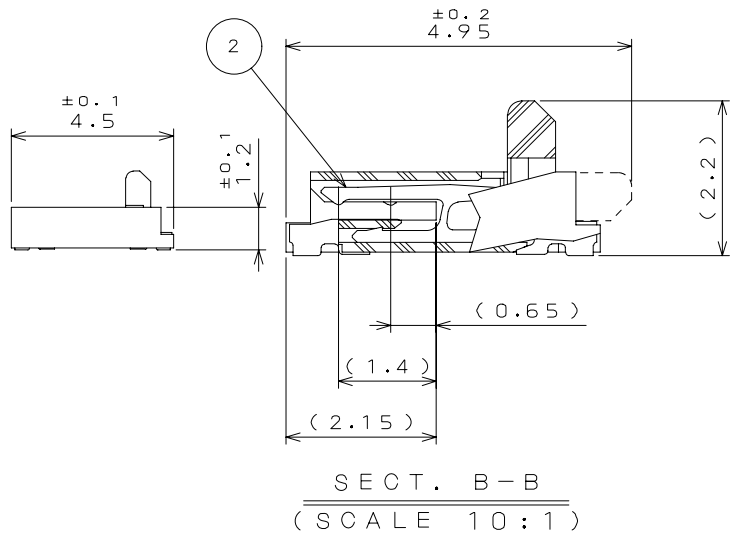
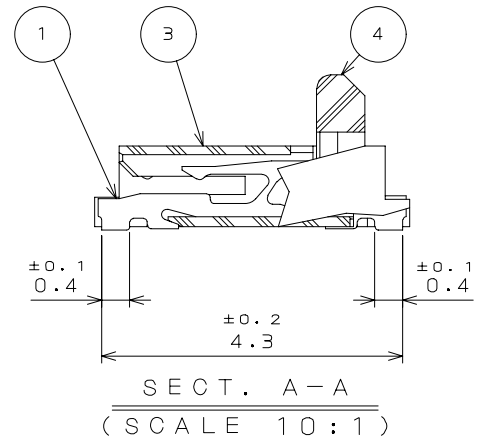
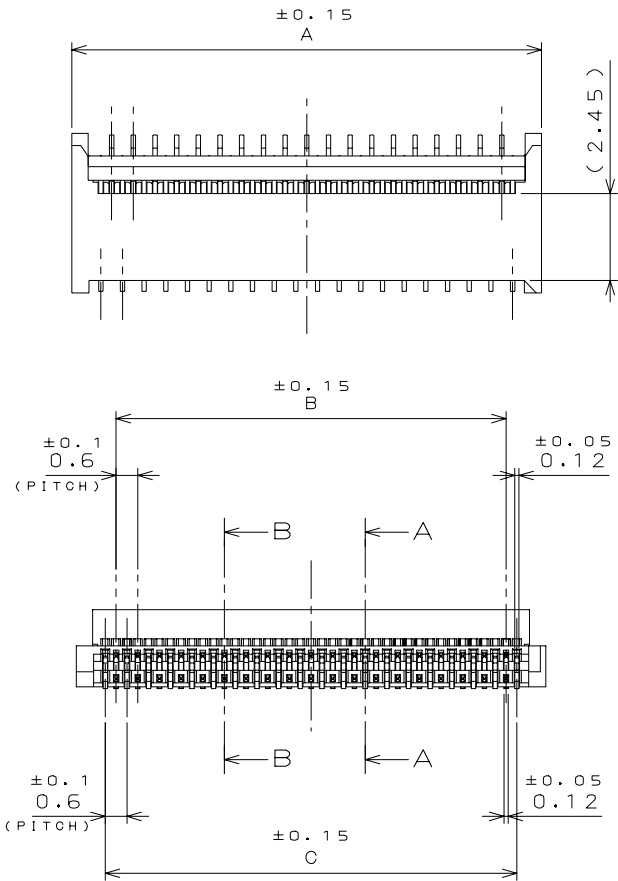
Materials and Finishes

Components	Materials / Finishes
Contact	Copper alloy / Contact area: Au plating Terminal area: Au flash plating
Base Insulator	Synthetic resin / No (UL94V-0)
Actuator	Synthetic resin / No (UL94V-0)

Ordering Information



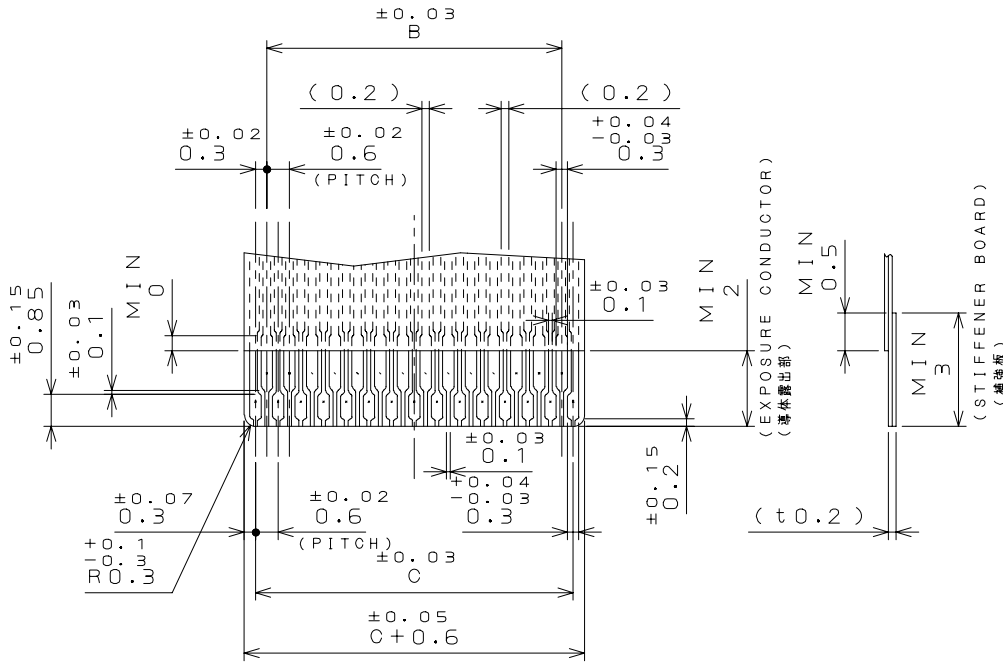
Part Number	SJ Drawing
FB8S***JA1	SJ106679



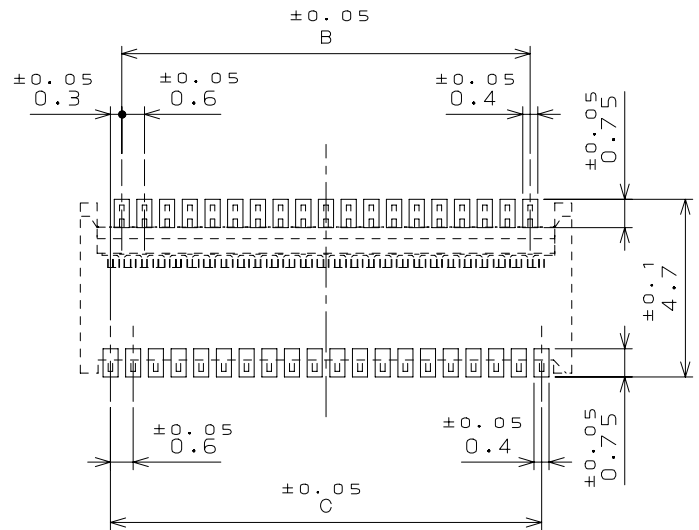
Unit: mm

TABLE 1

No. of Contacts	A	B	C
17	6.4	4.2	4.8
23	8.2	6.0	6.6
25	8.8	6.6	7.2
29	10.0	7.8	8.4
31	10.6	8.4	9.0
33	11.2	9.0	9.6
35	11.8	9.6	10.2
39	13.0	10.8	11.4
41	13.6	11.4	12.0
45	14.8	12.6	13.2
51	16.6	14.4	15.0



Applicable dimension of FPC (for reference)



- Note1) Please use polyimide for FPC stiffener with thermosetting adhesive.
- Finish bare traces with Au plating.
- Note2) An embossed tape reel contains 2000 pieces.
- Please contact us for details on embossed tape specifications

Applicable dimension of board (for reference)

**Notice:** Products shown in this leaflet are made for the applications listed below. However, if the above-mentioned products are to be used in aerospace devices, marine cable-connection devices, atomic power control systems, medical equipment for life-support systems, or any other specific application requiring extremely high reliability, please contact JAE for further information.

Recommended applications: Computers, Office machines, Measuring devices, Telecommunication devices (Terminals, Mobile devices), AV devices, Household applications, FA devices, etc.

**Japan Aviation Electronics Industry, Limited**  
 Product Marketing Division  
 Aobadai Building, 3-1-19, Aobadai, Meguro-ku, Tokyo 153-8539  
 Phone: +81-3-3780-2787 FAX: +81-3-3780-2946