

NEW



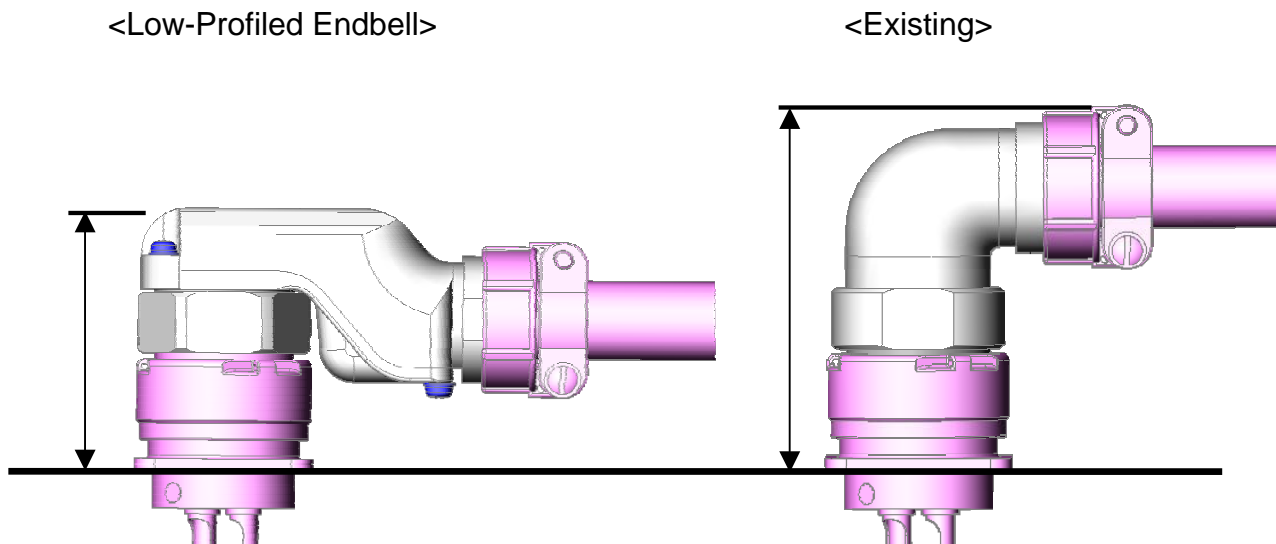
JL04V Series

Low-Profiled Angle Type Endbell

CONNECTOR

MB-0122-3

June 2006



<<Overview>>

These are NEW accessories for JL04V to reduce the mounting space. JL04V was originally developed for industrial equipment, and the new endbell is suitable for downsizing of those equipment.

Features

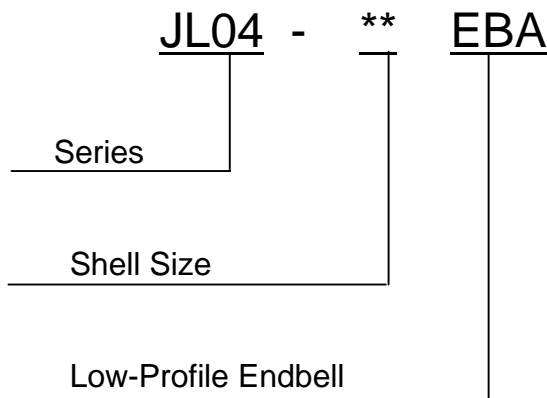
- **Shell sizes:** From 18 to 28 are available.
- **Low-profile:** The entire heights are reduced to 23 - 29% of that of our existing products(90deg. endbell). Wires are almost equivalent to the existing one.
- **Ease of assembly:** Dividable endbell enables easy assembly after wire termination.
- **Ease of wire termination:** It ensures the space for wire handling after wire termination.
- **Prevention of wire damage caused by nipping between endbell:** Chamfer of inner side of endbell prevents of nipping.
- **Cable direction:** Any directions is available as well as a conventional one.
- **Waterproof:** IP67 standard (EN61984, TUV approved)
- **Applicable series:** They are applicable not only to JL04V but also JA06A and JL05 series. In case JL05, screw are not fully tightened.
- **Assembly nut:** Hexagon nut for easy tightening, which can be tightened by wrench. Location of locking screws can be chosen from two screw holes that are located at opposite side.
- **Ground connection:** Ground connection outside the connector is available by connecting the ground wire to endbell through crimping terminal.
- **Compatibility:** Existing cable clamp can be installed.

Materials and Finishes

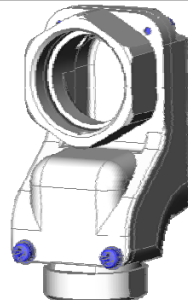
Description	Materials/ Finishes
Set Screw	Copper/ Zinc plating
Assembly Nut	Aluminium Alloy/ Zinc plating
O Ring	Synthetic Rubber
Retaining Ring	Copper Alloy/ Zinc plating
Endbell B	Aluminium Alloy/ Zinc plating
Endbell A	Aluminium Alloy/ Zinc plating
Gasket	Synthetic Rubber
Sems Screw	Steel/ Zinc plating

Ordering Information

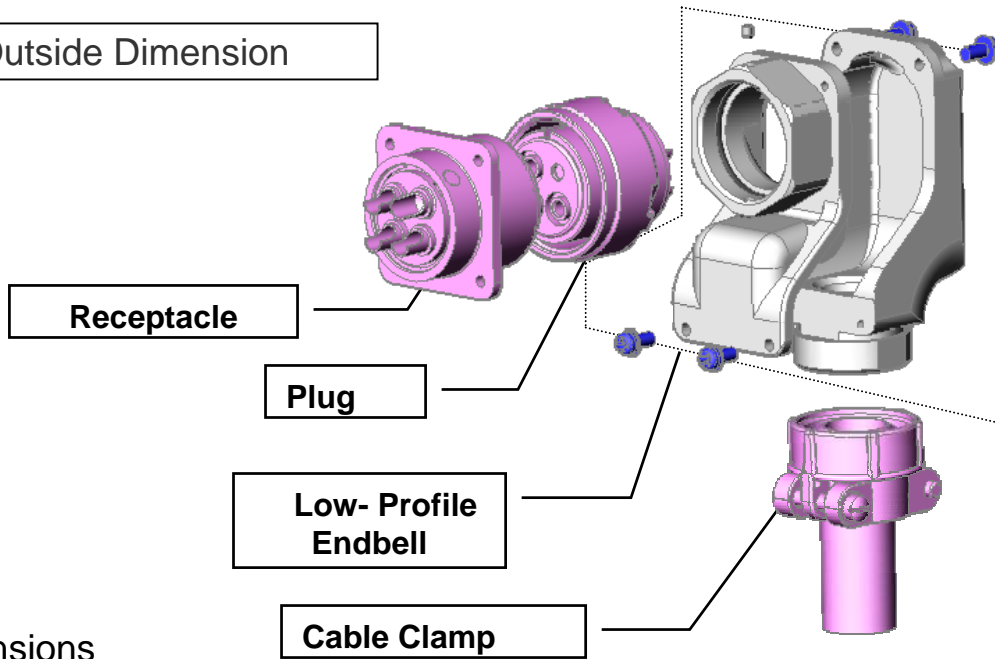
(a) Configuration of Part Number



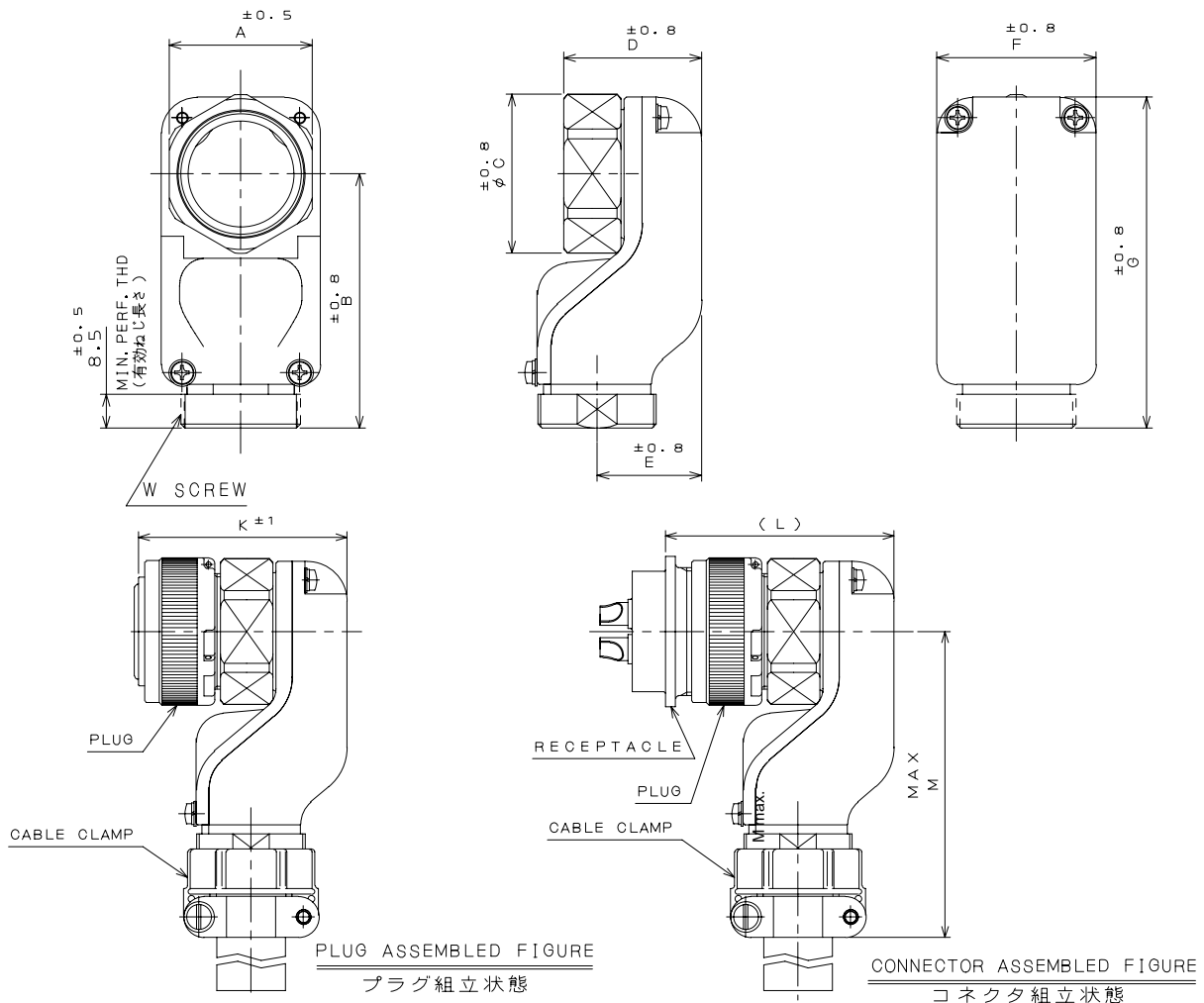
(b) Applicable Item

No.	Part Number	Drawing	Appearance
1	JL04-18EBA	SJ101198	
2	JL04-20EBA		
3	JL04-22EBA		
4	JL04-24EBA		
5	JL04-28EBA		

Outside Dimension



Dimensions



Shell Size	Dimension												
	A ±0.5	B ±0.8	Dia.C ±0.8	D± 0.8	E ±0.8	F ±0.8	G ±0.8	Dia.H ±0.3	Dia.J ±0.5	Dia.K ±1	(L)	Max for Dim. M	W Screw
18	30	62	34.0	27.6	19.3	34.0	78.3	20.2	15.0	50.0	54.1	82.0	1-20UNEF-2A
20	33	64	37.0	31.5	23.9	37.0	82.0	24.2	17.0	55.0	59.1	84.0	1 3/16-18UNEF-2A
22	36	64	40.0	35.1	26.3	40.0	83.3	26.7	17.0	56.7	62.3	84.0	1 3/16-18UNEF-2A
24	40	71	43.0	40.0	30.3	43.0	92.0	29.9	20.0	65.0	70.7	93.0	1 7/16-18UNEF-2A
28	46	71	49.0	40.0	30.9	49.0	95.2	35.9	20.0	65.0	70.7	93.0	1 7/16-18UNEF-2A

Related References

	Title	Number
1. SJ Drawing	JL04-**EBA	SJ101198
2. Handling Instructions	JL04V Low-Profile Endbell	JAHL-50009
	Operating Manual	

Item List of Crimp Terminal for Ground Connection

	Wire Specification	Round Crimp Terminal	Tapping Screw
		Part Number(JST)	(JIS B 1122)
JL04-18EBA	3.5mm ²	5.5-S3	M3, 2types, L=6
	1.25 mm ²	1.25-3	M3, 2types, L=6
JL04-20EBA	3.5 mm ²	5.5-S3	M3, 2types, L=6
	1.25 mm ²	1.25-3	M3, 2types, L=6
	3.5 mm ²	1.25-3	M3, 2types, L=6
	1.25 mm ²	1.25-3	M3, 2types, L=6
JL04-22EBA	5.5 mm ²	5.5-S3	M3, 2types, L=6
	10 mm ²	8-4	M4, 2types, L=8
	3.5 mm ²	5.5-S3	M3, 2types, L=6
	1.25 mm ²	1.25-3	M3, 2types, L=6
JL04-24EBA	8 mm ²	8-4	M4, 2types, L=8
	3.5 mm ²	5.5-4	M4, 2types, L=8
	1.25 mm ²	1.25-4	M4, 2types, L=8
JL04-28EBA	3.5 mm ²	5.5-S3	M3, 2types, L=6

Notice: Products shown in this leaflet are made for the applications listed below. However, if the above-mentioned products are to be used in aerospace devices, marine cable-connection devices, atomic power control systems, medical equipment for life-support systems, or any other specific application requiring extremely high reliability, please contact JAE for further information.

Recommended applications: Computers, Office machines, Measuring devices, Telecommunication devices (Terminals, Mobile devices), AV devices, Household applications, FA devices, etc.

Japan Aviation Electronics Industry, Limited

Product Marketing Division
Aobadai Building, 3-1-19, Aobadai, Meguro-ku, Tokyo 153-8539
Phone: +81-3-3780-2787 FAX: +81-3-3780-2946