

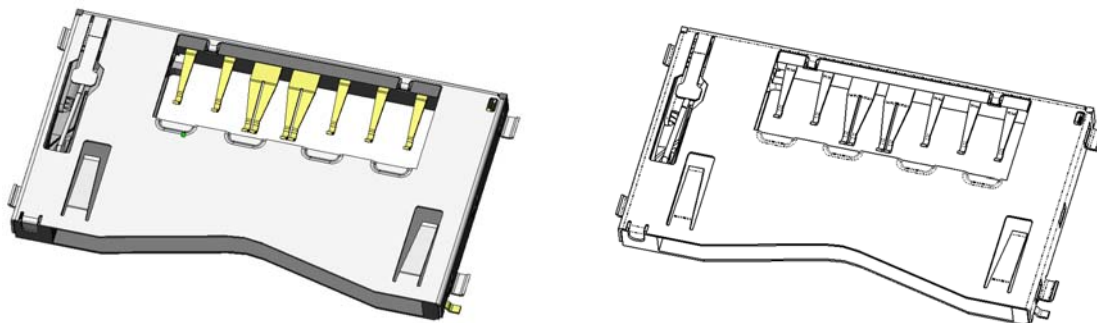
**NEW**



Connector for Reduced size-MMC  
**SV1 Series**

CONNECTOR  
 MB-0119-2  
 June 2006

**RoHS Compliant**



< Outline >

The SV1 Series connector are designed for Reduced size- Multimedia Cards, standardized by MMCA for various small portable devices.

(MMCA: Multi Media Card Association)

**Features**

- Small low profile: Push-Push structure with minimized mounting space
- Bottom mounting type
- Break mechanism to prevent card flying off
- User friendly audible click sound to ensure insertion removal
- Reverse insertion prevention structure
- Moderate shielding secured by 4 hold-downs placed on cover
- Card insertion/removal detection structure
- Supplied in embossed tape
- Compatible to Multimedia Card.
- Dual point contact type for power contacts to reduce intermittent discontinuity

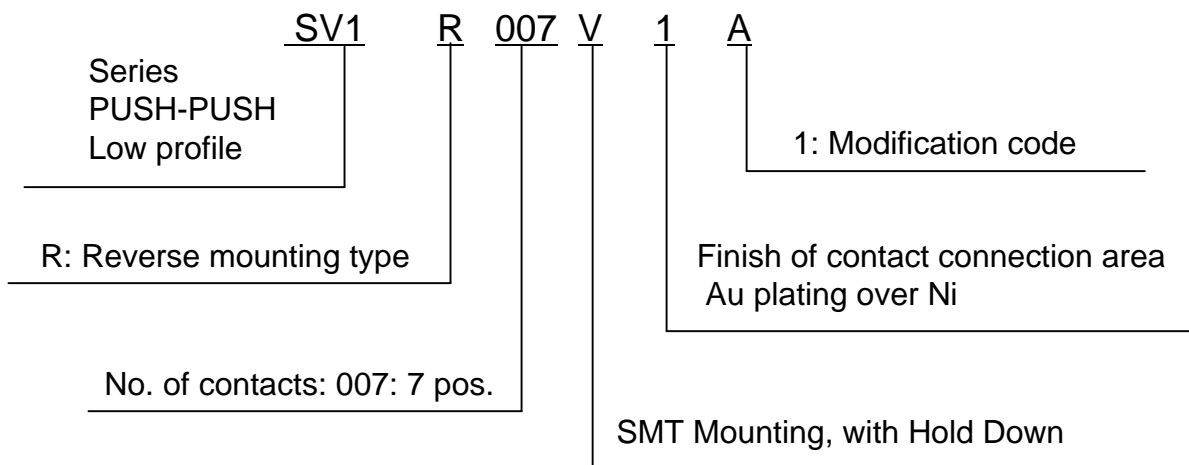
**General Specifications**

- |                                                          |                                                                       |
|----------------------------------------------------------|-----------------------------------------------------------------------|
| ■ No. of contacts :7 pos.                                | ■ Insulation resistance: 1000M ohm min.<br>(100M ohm min. after test) |
| ■ Contact resistance: 100m ohm max.                      | ■ Rated current: 0.5A max.                                            |
| ■ Dielectric withstanding voltage :<br>DC500V per minute | ■ Lifetime: 10,000 times                                              |
| ■ Operating temperature:<br>-25 Deg. C to +90 Deg. C     | ■ Rated voltage: 3.3V                                                 |

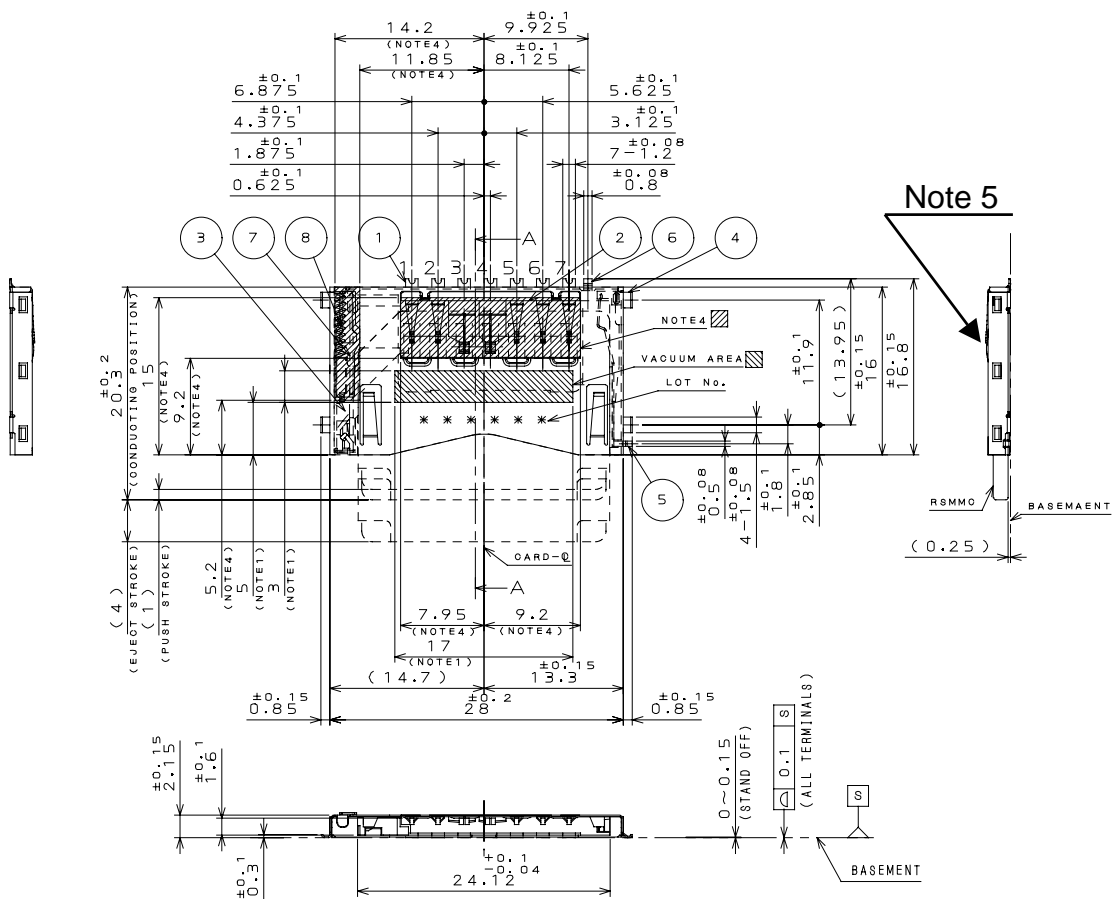
Materials and Finishes

| Components            | Materials /Finishes                                                                |
|-----------------------|------------------------------------------------------------------------------------|
| Contact               | Copper Alloy/<br>Contact: Au plating over Ni<br>Terminal: Au flash plating over Ni |
| Card Detection Switch | Copper Alloy/<br>Contact: Au plating over Ni<br>Terminal: Au flash plating over Ni |
| Housing               | Glass filled LCP (UL 94V-0)                                                        |
| Eject Bar             | Glass filled Nylon (UL 94V-0)                                                      |
| Cover                 | Stainless steel/ No                                                                |
| Cam follower          | Stainless steel/ No                                                                |
| Spring                | Piano wire/ Zinc plating                                                           |

Ordering Information

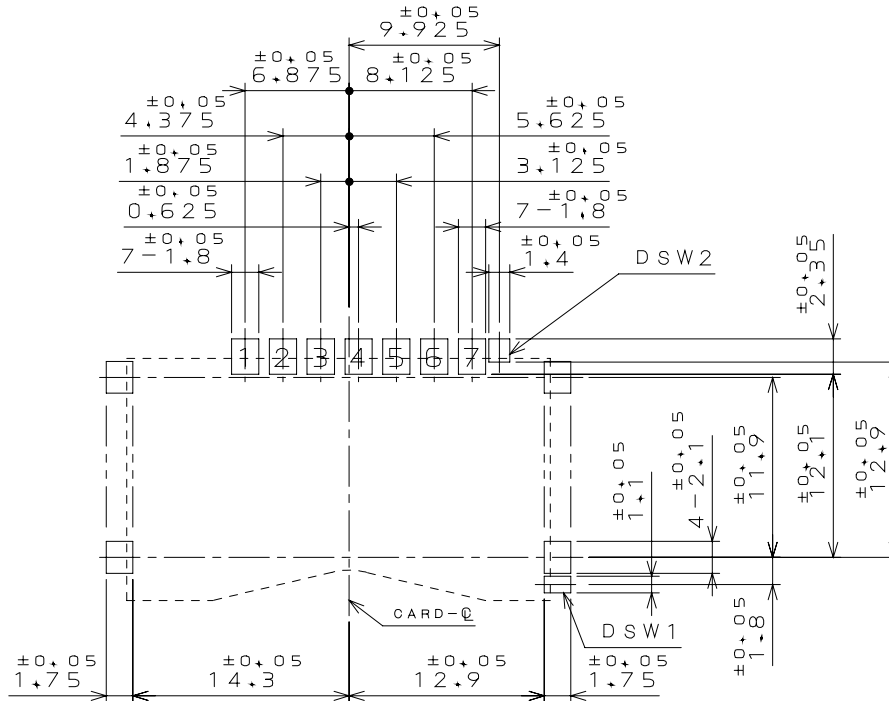


|             |            |
|-------------|------------|
| Part Number | SV1R007V1A |
| SJ Drawing  | SJ101792   |



Unit: mm

Note 5. The contact protrudes 0.45 mm max. from the cover when MAX card is used.



Applicable dimension of board (for reference)

TABLE 3. CIRCUIT (REF.)

|                  | WITHOUT CARD | CARD INSERTED |
|------------------|--------------|---------------|
| DETECTION SWITCH |              |               |

Note1. Vacuum area.

Unit: mm

Note2. The thickness of reinforcement board is 0.6MIN, when the product is mounted on FPC.

Note3. Circuit (TABLE.1)(Reference)

Note4. No parts in this area.

**Notice:** Products shown in this leaflet are made for the applications listed below. However, if the above-mentioned products are to be used in aerospace devices, marine cable-connection devices, atomic power control systems, medical equipment for life-support systems, or any other specific application requiring extremely high reliability, please contact JAE for further information.  
 Recommended applications: computers, office machines, measuring devices, telecommunication devices (terminals, mobile devices), AV devices, household applications, FA devices, etc.