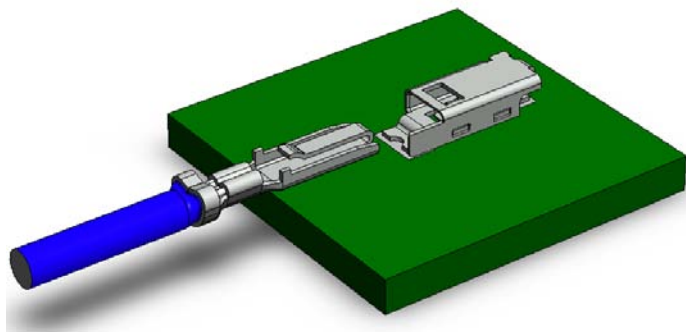


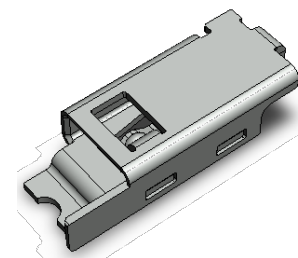
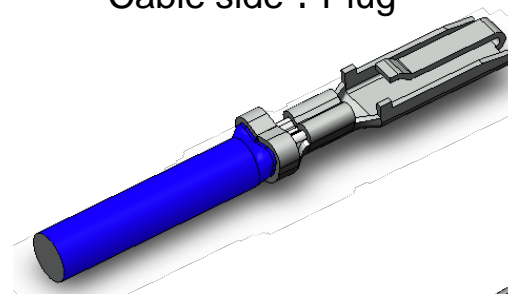
# ES5 Series



Rated Current	AC/DC 4A
Contact Resistance	40 milliohms max *Initial
Operating Temperature	-40°C to +105°C
Applicable Cable	AWG #24 - #28
	Outer Diameter $\phi 0.9\text{mm} \sim \phi 1.6\text{mm}$

- Connector design with no insulation allows for a low height of only 1.6mm.
- Mechanical lock structure for secure mating
- Automatic Mount (SMT Side)
- Embossed tape and reel package
- Misalignment prevention structure
- RoHS Compliant

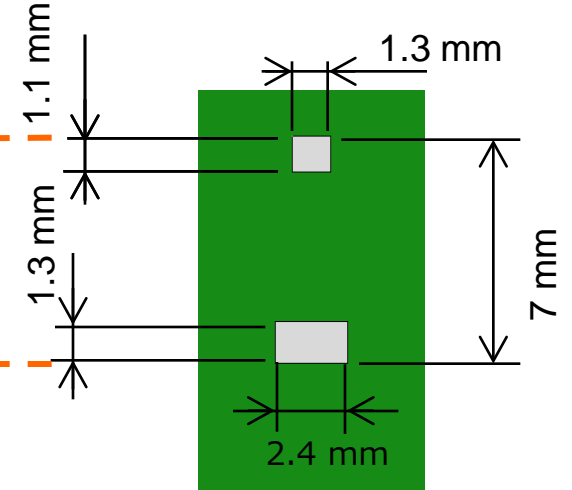
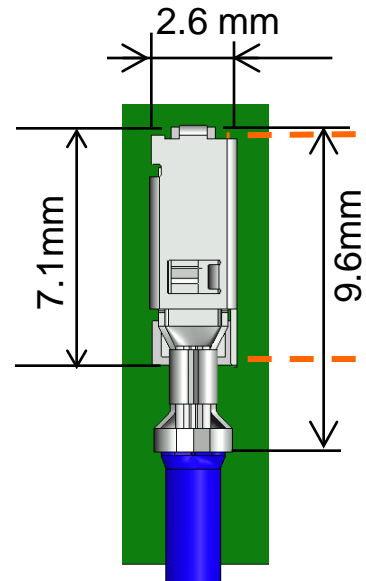
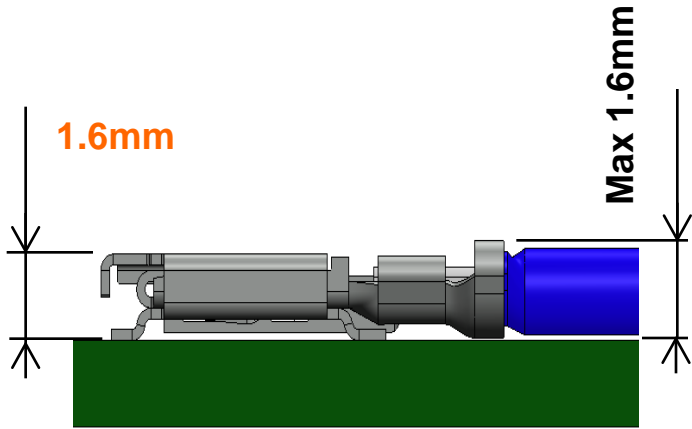
Cable side : Plug



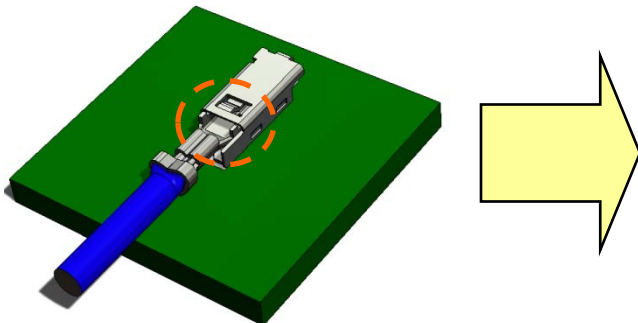
SMT Side : Receptacle

# ES5 Series Dimensions

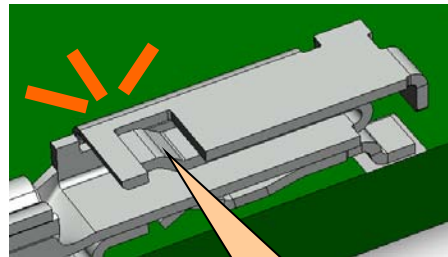
## Dimension of applicable PCB



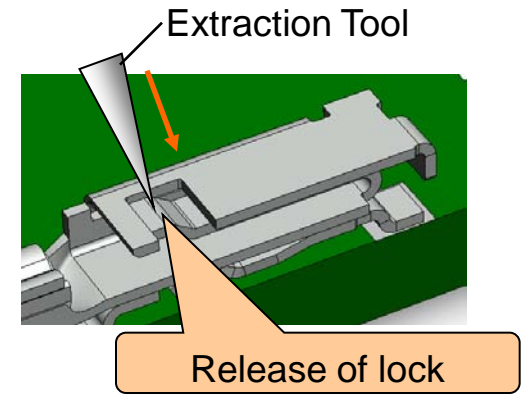
### Lock Structure



### Mated Condition

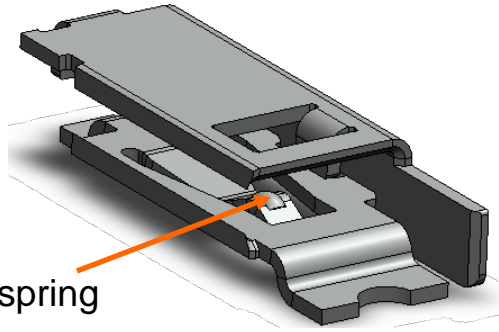


### Extraction



# ES5 Series Features

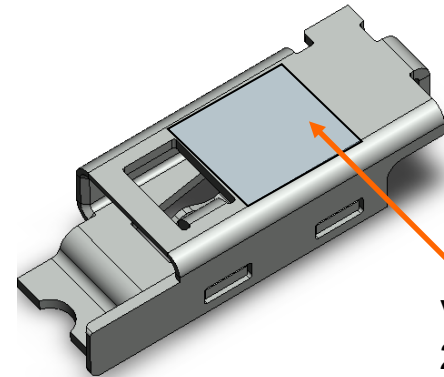
## Spring contact structure



Contact spring

- SMT receptacle has contact spring to enables good connection.

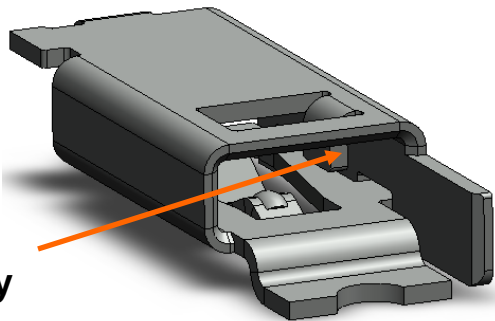
## Automatic mounting compatible



Vacuum area  
2mm×2.2mm

- Flat area on top of SMT connector for vacuum pick up
- Packed in emboss carrier tape

## Reverse insertion prevention structure



Key

- SMT receptacle has misalignment prevention structure

# ***Thank you***

*JAE has wide variety of lineups including general and custom made connectors to meet your needs.*

## **LEGAL**

JAE CONFIDENTIAL AND PROPRIETARY. ALL RIGHTS RESERVED. YOU MAY NOT DISTRIBUTE THIS DOCUMENT, OR INFORMATION CONTAINED IN THIS DOCUMENT, IN WHOLE OR IN PART, TO ANY THIRD PARTY.