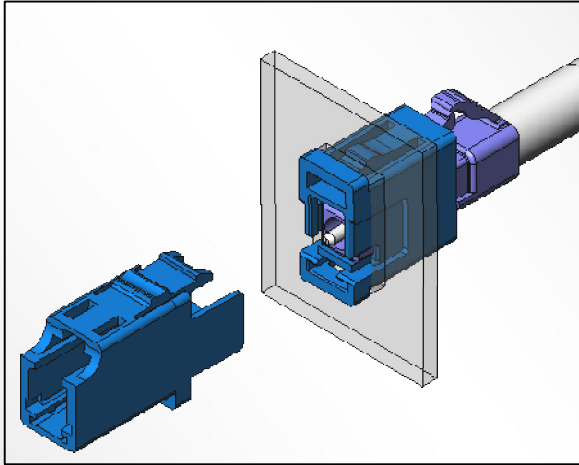


FO-EX SERIES CONNECTORS

Product Bulletin



FEATURES

- Cable-to-Cable FO Adapter
- Fits standard panels
- Same performance as standard adapters
- Separates to allow cleaning of rear-side fiber
- LC Simplex available
- SC Simplex under dev't
- LC Duplex under dev't
- Internal shutter available
- **Telcordia GR-326 compliant**
- **RoHS Compliant**

Enclosed you will also find a copy of the CPI and JACS for the series. For further details and promotional samples, please contact Marketing Resources.



To better service the fiber optic market, JAE now introduces the FO-EX series of panel-mount adapters. Standard adapters on the market prevent the cleaning of the rear-side fiber without opening the equipment panel. The FO-EX solves this problem with a separable housing structure to provide easy access.

Each series is made up of a single panel-mounted adapter. It fits standard panel dimensions for easy replacement of existing adapters, and also offers the same signal performance. Thus, the FO-EX can drop-in replace any existing adapters of the same style.