



FO-EX Series

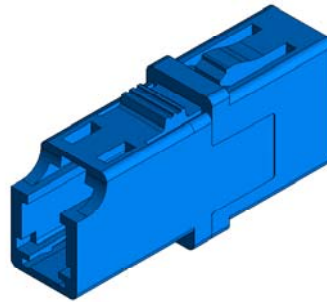
CONNECTOR

Simplex Type LC Connector

MB-0151-1

May 2006

FO-EX-LCAD2



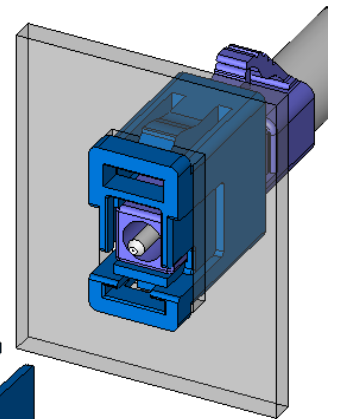
<<Outline>>

By making the LC type adapter separable, the end surface of the ferrule which is fixed to the inner side of the case (panel side) can be easily cleaned without opening the panel and detaching the plug from the adapter.

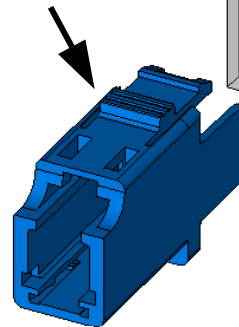
Can be used for various applications such as telecommunication devices like router, switch and optical networking devices etc.

Rear housing

Lever



Front housing



Features

- Attaches to same panel cut-out as standard LC type simplex adapter. (IEC 61754-20 standard product)
- Optical and environmental performance equivalent to LC type simplex adapter. (compatible to Telcordia GR-326-CORE)
- Easy, one hand separation of front and rear housing is possible by holding top and bottom of the front housing. (lever lock method).

General Specifications

- Insertion loss: 0.4dB max. (when master plug is mated)
- Operating temperature: -40 to +85 Deg. C
- Repeated mating: 500 mating cycle

* Measuring procedure compliant to IEC 61300

Materials and Finishes

Componets	Materials/ Finishes
Front housing	Glass filled PBT
Rear housing	Glass filled PBT
Sleeve holder	Glass filled PBT
Split sleeve	Ceramic
Dust cap	PP

Ordering Information

FO-EX - LC AD 2

Series: FO-EX

Applicable connector:
LC type optical connector

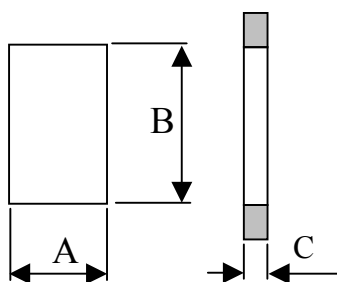
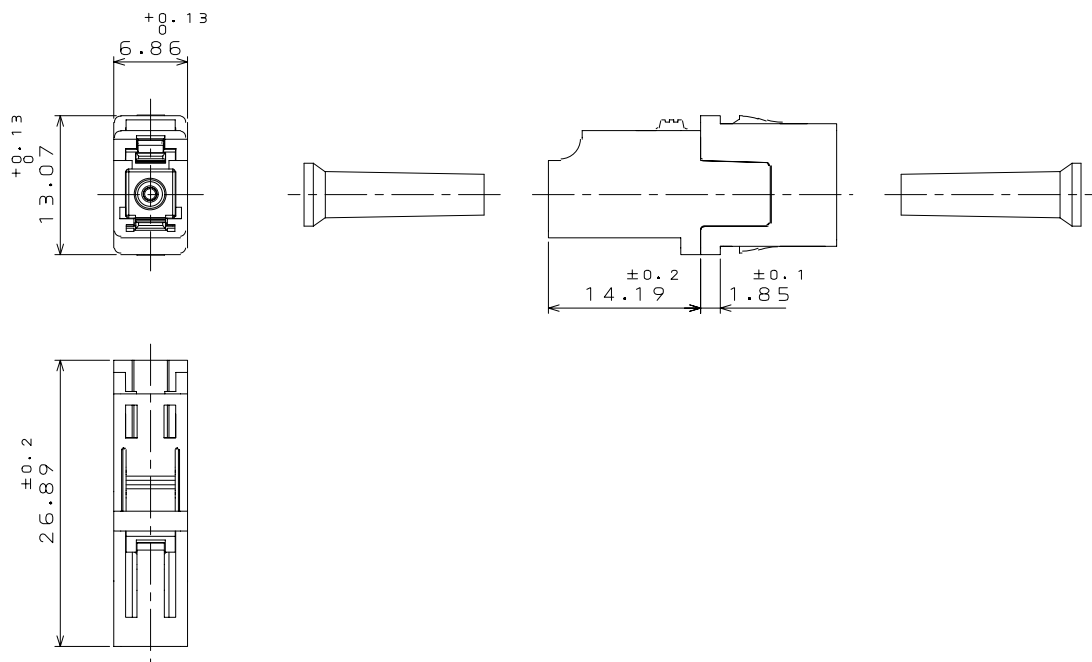
Split sleeve material
2: Ceramic

Configuration: Adapter

Technical Information

Part Number	SJ Drawing	Specifications
FO-EX-LCAD2	SJ106209	JACS-70031

Outer Dimensions



	Min	Max
A	7.1	7.2
B	11.7	11.8
C	1.55	1.75

Dimension of panel cut out
(for reference)

■ Please contact us when considering using panel thickness not in above.

Notice: Products shown in this leaflet are made for the applications listed below. However, if the above-mentioned products are to be used in aerospace devices, marine cable-connection devices, atomic power control systems, medical equipment for life-support systems, or any other specific application requiring extremely high reliability, please contact JAE for further information.
Recommended applications: Computers, Office machines, Measuring devices, Telecommunication devices (Terminals, Mobile devices), AV devices, Household applications, FA devices, etc.