

NEW



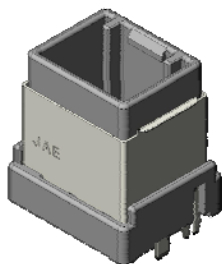
USB2.0 Transmission Compatible Automotive Connector

CONNECTOR

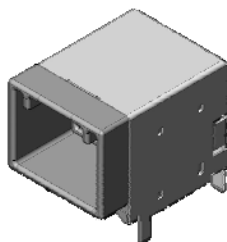
MB-0210-1

MX39 Series

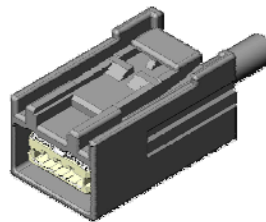
January 2010



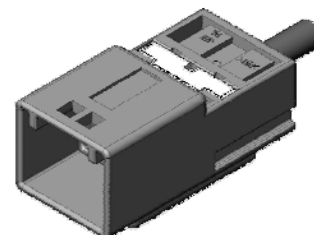
Straight Pin Connector



Angle Pin Connector



Socket Connector



Relay Connector

Recently, car navigation systems with advanced multi-media entertainment functions are increasing in popularity, and the demand to connect to portable digital audio players in the car is growing.

To answer this demand JAE has developed the "MX39 Series" connector for USB2.0 in automotive applications.

The MX39 Series connector not only satisfies the USB2.0 transmission performance, it also was designed to physically withstand the automotive environment, and incorporates a shield wire specifically for automotive use in the cable.

Features

- Connector and cable newly designed for automotive use.
- Transmission performance meets USB 2.0 standard.
- Metal shell shielding structure for EMI control.
- 1 row, 4 position, with 2.2mm pitch.
- Angle and straight type board connectors.
- Angle type is also available with different keying.
- Mechanical lock and twist-resistant structure for mated connector.
- Cable-to-cable type is also available for relay cable.
- Available as completed harness to assure transmission performance reliability.

General Specifications

- | | |
|---|--|
| •No. of Contacts:
4 pos. (both angle and straight) | •Insulation Resistance:
100 M ohm min. |
| •Contact Resistance:
8 m ohm max. (initial) | •Applicable Board Thickness:
1.6 mm |
| •Dielectric Withstanding Voltage:
AC 500Vr.m.s. per minute | •Applicable Wire:
Shielded twisted pair cable
(for harness product only) |
| •Operating Temperature:
-40 Deg. C to +85 Deg. C | |

Materials and Finishes

■ Pin Connector

Component	Material / Finish
Pin Contact	Brass / Contact area: Au plating Terminal area: Sn Plating
Pin Housing	30%GF SPS
Shell, GND Shell	Brass or copper alloy / Sn Plating

■ Socket Connector

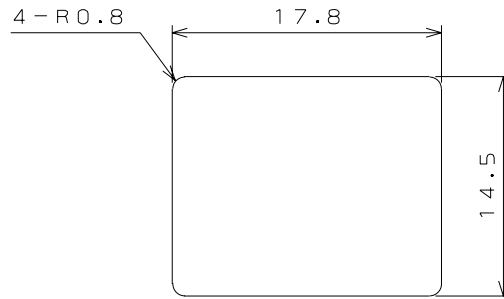
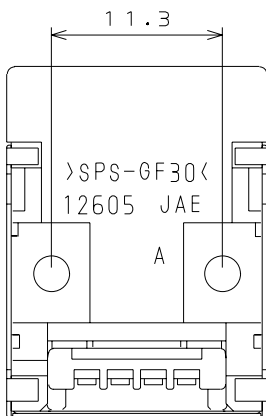
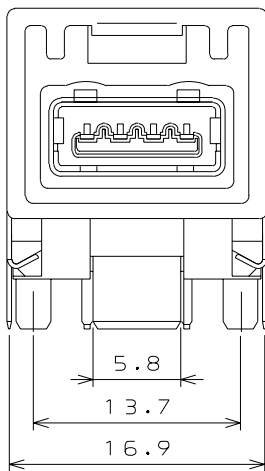
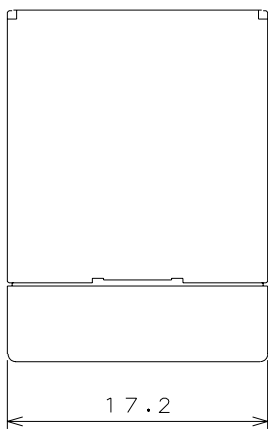
Component	Material / Finish
Socket Contact	Copper alloy / Contact area: Au plating Terminal area: Sn Plating
Socket Housing	PBT or 35%GF LCP
Sleeve, GND Shell	Brass or copper alloy / Sn Plating

■ Relay Connector

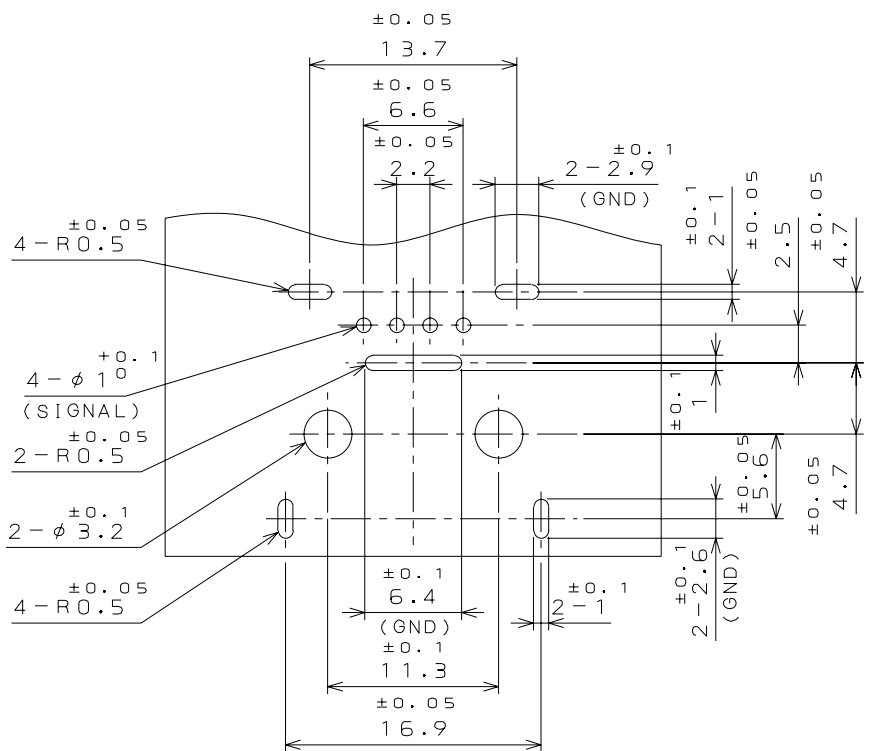
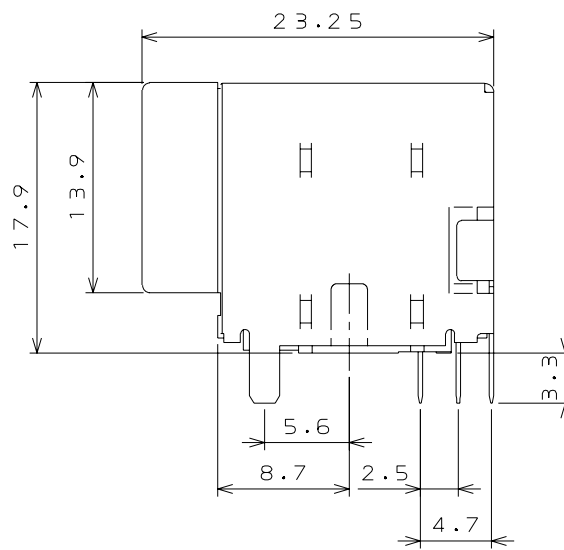
Component	Material / Finish
Pin Contact	Copper alloy / Contact area: Au plating Terminal area: Sn Plating
Pin Housing	PBT or 35%GF LCP
Sleeve, GND Shell	Brass or copper alloy / Sn Plating

External Dimensions

■ Angle Pin Connector (MX39004NQ1) Drawing No. SJ101266

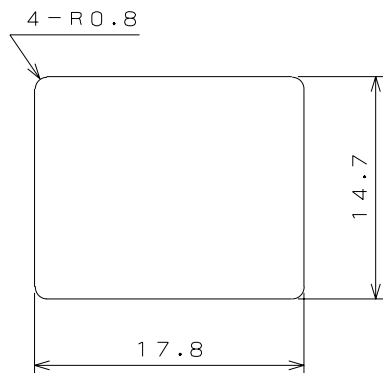
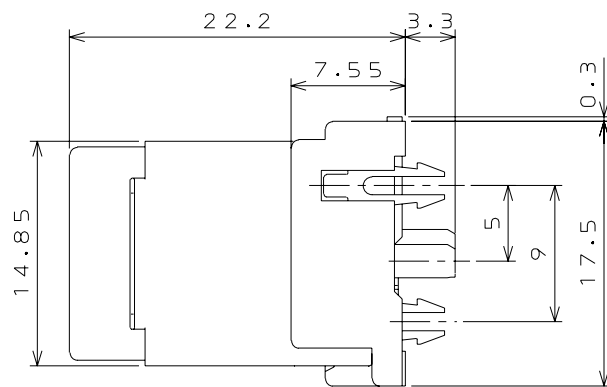
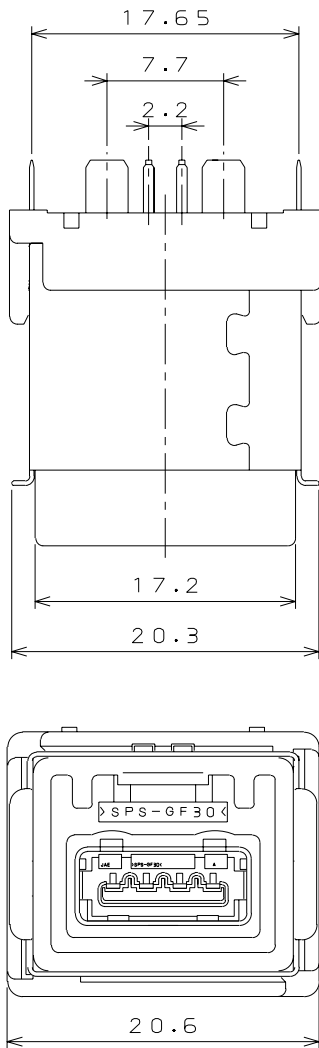


PANEL CUT OUT DIMENSION(REF.)

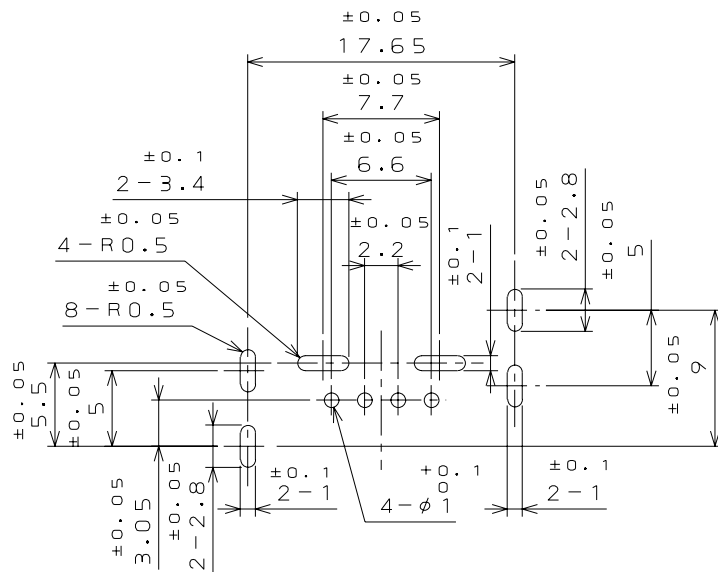


APPLICABLE P.C.B DIMENSION(REF.)

■ Straight Pin Connector (MX39004UQ1) Drawing No. SJ107257

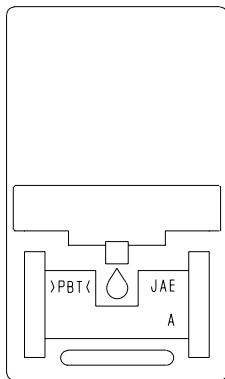
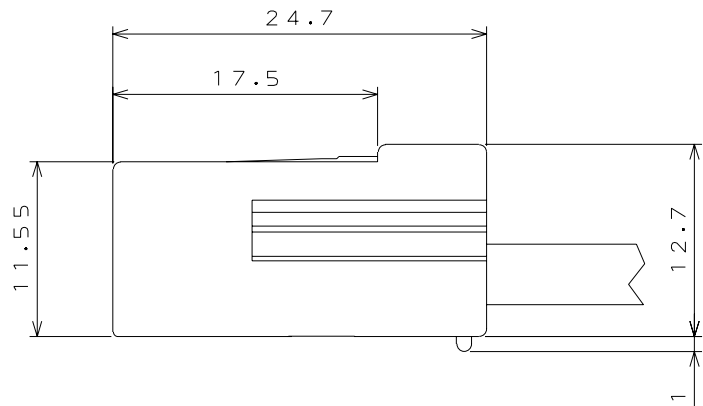
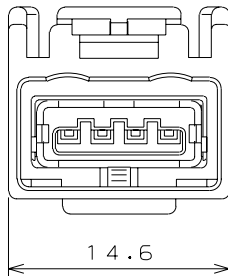
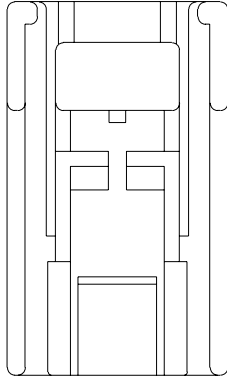


PANEL CUT OUT DIMENSION(REF.)



APPLICABLE P.C.B DIMENSION(REF.)

■ Socket Connector (for Reference)

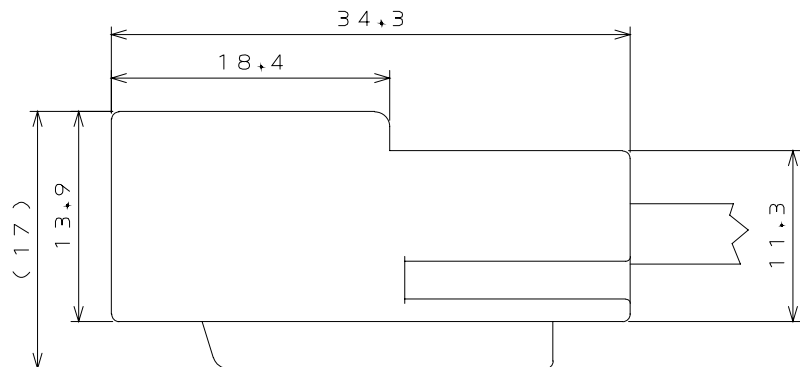
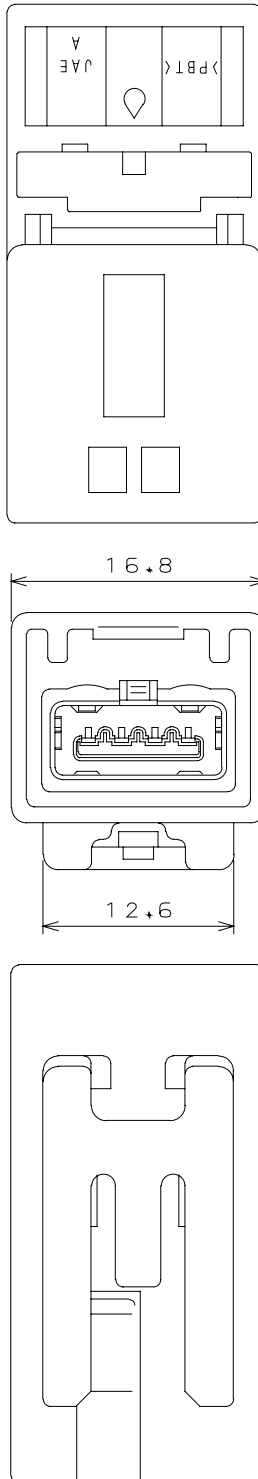


Note: Socket Connector is a harness product.
It is not sold as an individual connector.

■ Relay Connector (for reference)

Note:

Socket Connector is a harness product.
It is not sold as an individual connector.



Others

Specification

JACS-10443

Handling Instructions

JACS-10514

Japan Aviation Electronics Industry, Limited

Product Marketing Division

Aobadai Building, 3-1-19, Aobadai, Meguro-ku, Tokyo 153-8539

Phone: +81-3-3780-2787 FAX: +81-3-3780-2946

Notice: Products shown in this leaflet are made for the applications listed below. However, if the above-mentioned products are to be used in aerospace devices, marine cable-connection devices, atomic power control systems, medical equipment for life-support systems, or any other specific application requiring extremely high reliability, please contact JAE for further information.

Recommended applications: Computers, Office machines, Measuring devices, Telecommunication devices (Terminals, Mobile devices), AV devices, Household applications, FA devices, etc.