



Introducing  
**Raychem MTCT High  
Performance Modular  
Rectangular Connectors**  
for use with LuxCis Optical Termini

# MTCT Modular Rectangular Connectors with LuxCis Optical Termini

## KEY FEATURES

Available in aluminum or corrosion resisting steel

Utilizes the industry standard ARINC 801 LuxCis optical termini — no empty cavities requiring sealing

Mating hardware options – available in quick disconnect or jack screw styles for optimized space utilization

Accommodates four LuxCis optical termini

Enhanced MTCT mating interface will enhance termini alignment

Uses commonly available tooling for installation – no need to carry extra specialized tooling

## DESCRIPTION

Tyco Electronics Raychem brand MTCT connector is a compact, lightweight design connector for use with LuxCis fiber optic termini.

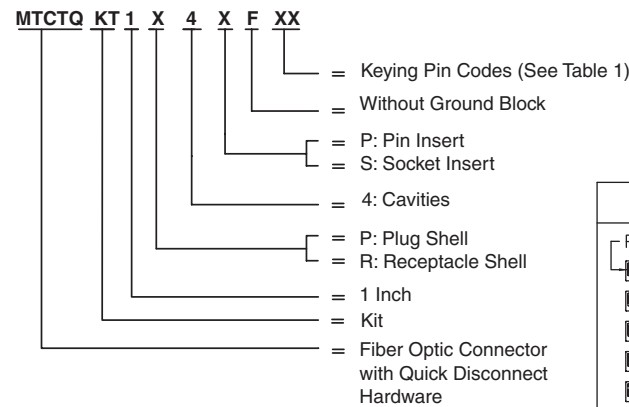
## APPLICATIONS

MTCT rectangular LuxCis termini housings are ideal for applications where LuxCis optical termini are used in applications such as: avionics, in-flight entertainment systems, communications, production breaks and other areas.

## MATERIALS

Housing	Aluminum alloy, nickel plate finish
Retention clip	Copper alloy, nickel plate finish
Keying pin	High grade polyarylene thermoplastic, molded
Interfacial seal	Fluorosilicone

## PART NUMBERING SYSTEM



POSITION OF PROJECTING TAB (TYP)	CODE	PLUG
	-A A-	
	-A B-	
	-A C-	
	-A D-	
	-B A-	
	-B B-	
	-B C-	
	-B D-	
	-C A-	
	-C B-	
	-C C-	
	-C D-	
	-D A-	
	-D B-	
	-D C-	
	-D D-	
	-X X-	
RECEPTACLE	CODE	PLUG

LuxCis is a trademark of Radiall, S.A. Product is manufactured under license from Radiall, S.A.

# MTCT Modular Rectangular Connectors with LuxCis Optical Termini

## PRODUCT DIMENSIONS

Kit, Plug and Receptacle

