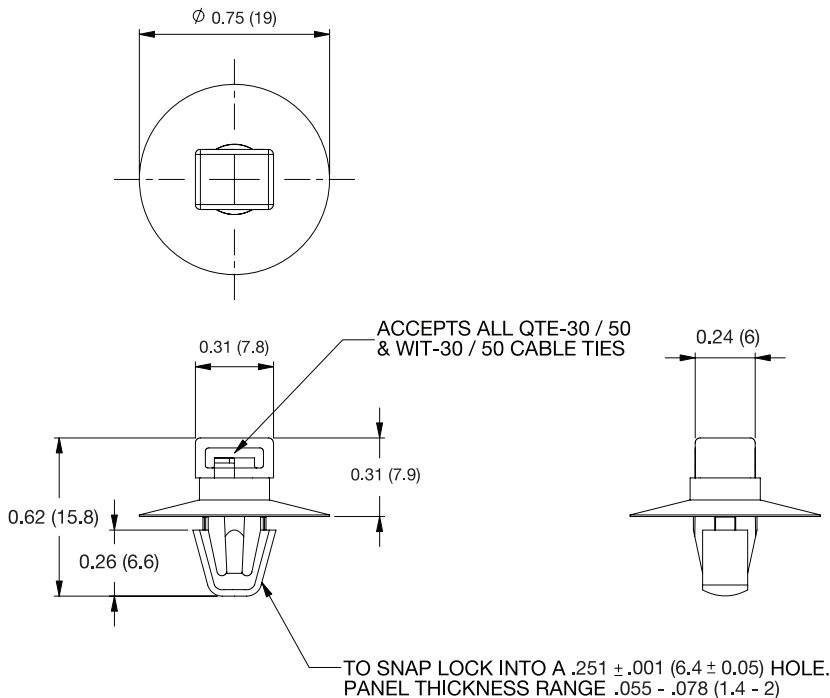
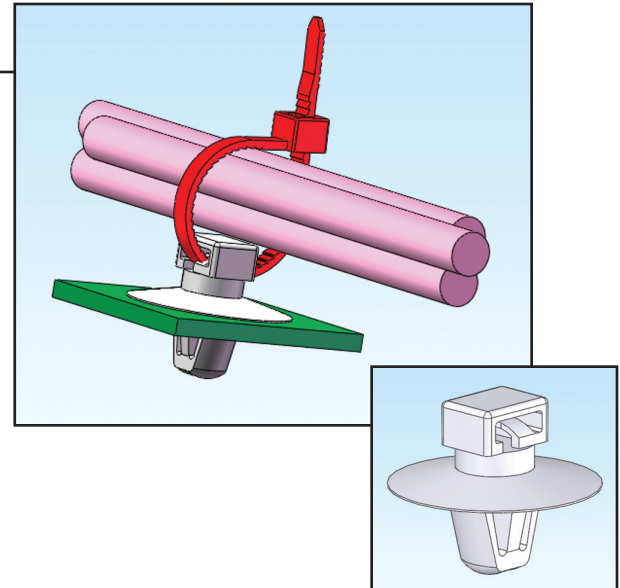


## Introducing the **FTH-33-01**

### Pressure Hold Cable Tie Holder

#### Features and Benefits

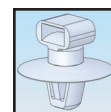
- Allows pre-assembly of the cable tie into the holder and holds it in place
- Provides a pressure hold onto the strap
- Cupped mounting base prevents dust ingress
- Cupped mounting base provides tight grip to the board in environments prone to vibration
- Accepts all QTE-30/50 and WIT-30/50 cable ties



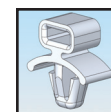
#### Markets

- Automotive
- White Goods
- Heating, Ventilation and Air-Conditioning
- Telecommunications

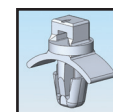
#### Other Related Richco Product Solutions



FTH-29-01



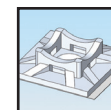
FTH-6-01



FTH-30



FTH-9-01



FTH-7



WIT

Mat'l: Nylon 6/6, RMS-01* Color: Natural	
Standard Pack: 1,000 per bag	
Part No	FTH-33-01
*UL 94 V0 material, RMS-19 available by special order. To order, replace the -01 with -19	