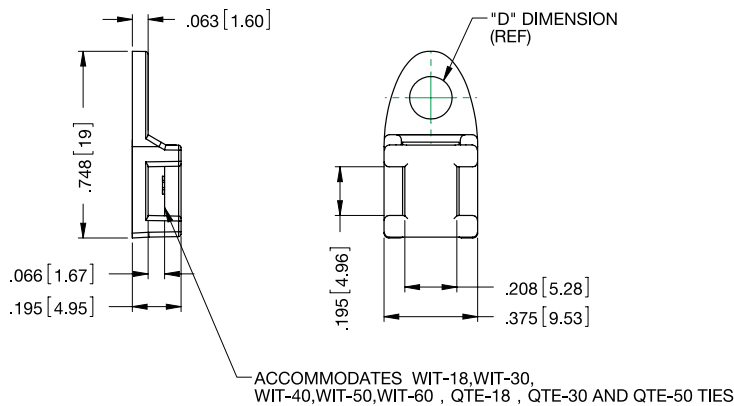
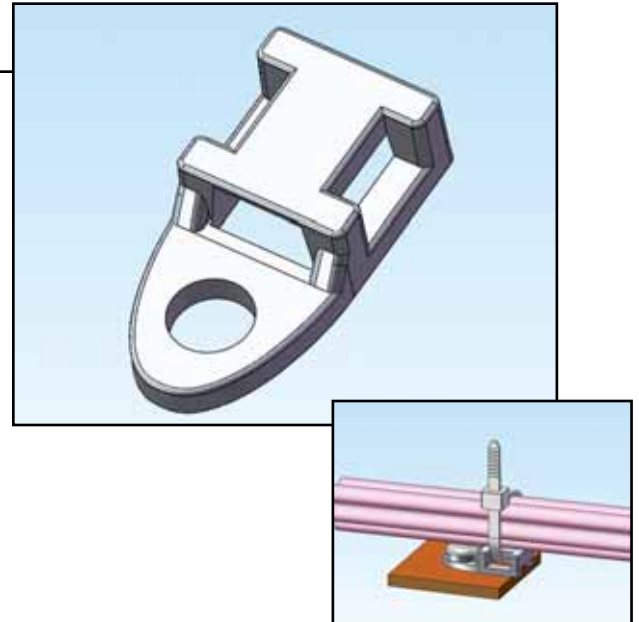


## Introducing the *FTH-34 & 35* Screw Mount Cable Tie Holder

### Features and Benefits

- 4-way cable tie entry makes part orientation fast and easy
- Low profile for use where space is limited
- Screw mounting provides a strong, secure installation
- Two sizes for either a #8 (M4) or #10 (M5) screw
- Accepts WIT-18 through 60 and QTE-18 through 50



### Markets

- Consumer Electronics
- Telecommunications
- Appliance
- Electrical

Mat'l: Nylon 6/6, RMS-01* Color: Natural		
Part No.	Standard Pack: 1,000 per bag	
	"D"	Mounting Method
FTH-34-01	.170 (4.3)	#8 (M4) Screw
FTH-35-01	.200 (5.1)	#10 (M5) Screw

\*Parts are available in UL94 V0 material by special order only. To order, replace -01 with -19.

### Other Related Richco Product Solutions



WIT



FTH-7



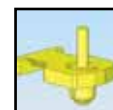
FTH-28



FTH-1



FTH-6



FTH-22