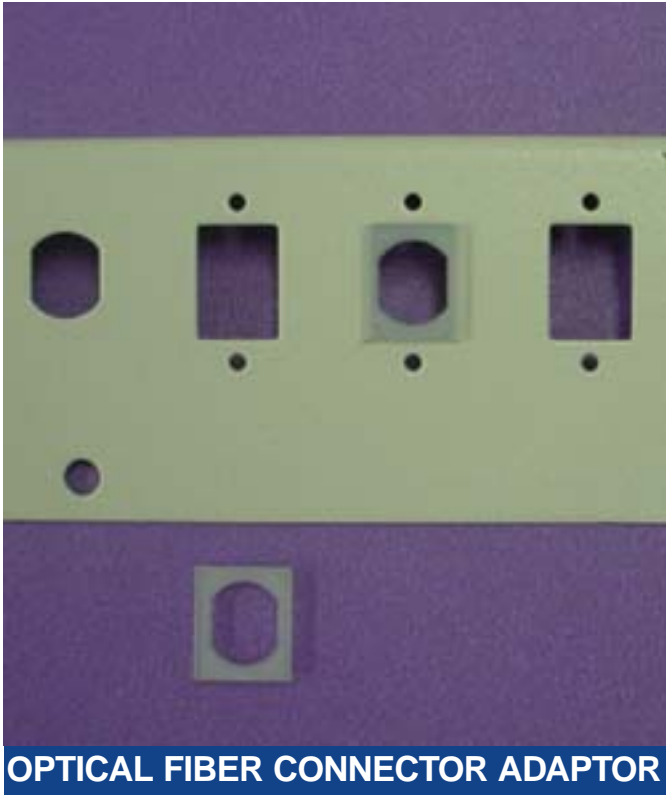


## NEW PRODUCT RELEASE

Richco Inc. introduces the Optical Fiber Connector Adaptor (OFCA). The OFCA will transform a connector cut out for an SC connector into a cut out for an ST connector. Simply push the OFCA into an SC connector cut out providing flexibility in panel usage and design. SC connector cut outs can be increased without decreasing the amount of viable ST connector cut outs.



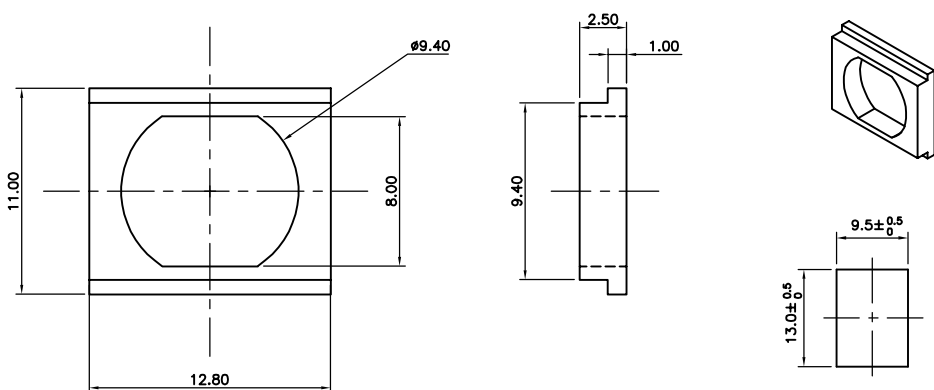
### PART FEATURES

- One-piece snap-in design
- ST connector cut out hole with SC connector cut out mounting design

### BENEFITS

- Easy push-in application
- Easily changes an SC connector cut out into an ST connector cut out

### OPTICAL FIBER CONNECTOR ADAPTOR (OFCA-SC/ST-01)



NOTES:  
 1. STANDARD PACK QUANTITY: 1000  
 2. ALL DIMENSIONS IN mm

HOLE DETAIL - PANEL THICKNESS 1.4 - 3.5

### TARGET MARKETS

- Datacom
- Telecommunications