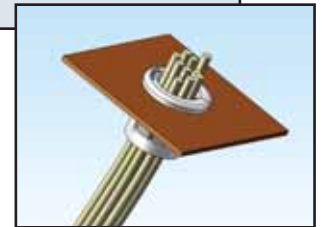
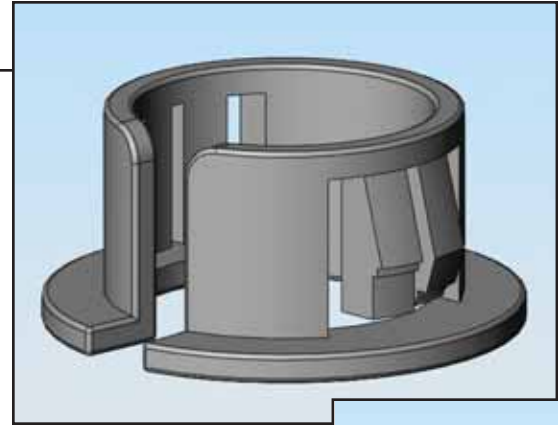


Introducing the *PGSB-A* Open Bushings

Features and Benefits

- Converts raw or sharp edged holes into smooth, insulated holes
- Easily snapped into hole by hand
- Insulates and protects wires and cables
- Split design allows assembly into holes that already contain cables
- Available in 14 sizes to accommodate various hole diameters and panel thicknesses

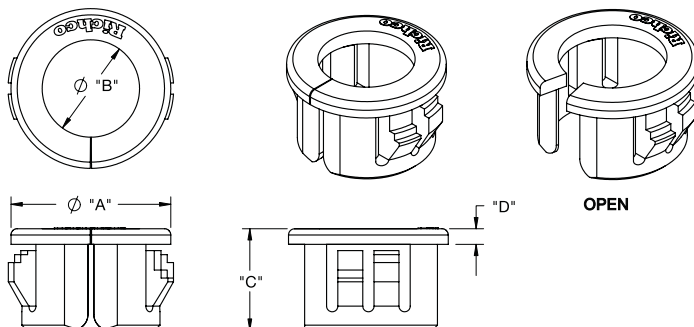


PGSB-A			Mat'l: Nylon 6/6, RMS-01; Color: Black				Standard Package	
Part Number	Mounting Hole Diameter	Panel Thickness Range	"A"	"B" Max. Holding Bundle Dia.	"C"	"D"		
PGSB-0609A	.375 (9.5)	.028-.067 (0.7-1.7)	.45 (11.4)	.260 (6.6)	.26 (6.5)	.051 (1.3)	1000	
PGSB-1A			.42 (10.7)	.265 (6.7)	.390 (9.9)			
PGSB-2A	.437 (11.1)	.031-.125 (0.8-3.2)	.500 (12.7)	.312 (7.9)	.406 (10.3)	.063 (1.6)		
PGSB-1013A	.512 (13)		.59 (14.9)	.35 (9)	.41 (10.5)	.059 (1.5)		
PGSB-3A	.562 (14.3)	.031-.125 (0.8-3.2)	.640 (16.3)	.390 (9.9)	.406 (10.3)	.063 (1.6)		500
PGSB-1216A	.630 (16)		.028-.130 (0.7-3.3)	.73 (18.6)	.48 (12.3)	.390 (9.9)		
PGSB-1316A		.630 (16)	.047-.138 (1.2-3.5)	.71 (18.0)	.41 (10.5)	.41 (10.5)	.063 (1.6)	
PGSB-1519A	.748 (19)			.047-.130 (1.2-3.5)	.81 (20.6)	.57 (14.5)	.43 (11)	.051 (1.3)
PGSB-1822A	.866 (22)	.039-.138 (1-3.5)	.98 (24.8)	.68 (17.3)	.45 (11.5)	.063 (1.6)	200	
PGSB-4A	1.0 (25.4)		1.047 (26.6)	.812 (20.6)	.406 (10.3)			
PGSB-5A	1.093 (27.8)	.031-.125 (0.8-3.2)	1.156 (29.4)	.875 (22.2)		.421 (10.7)		
PGSB-6A	1.250 (31.8)		1.343 (34.1)	1.046 (26.6)				
PGSB-7A	1.375 (34.9)		1.468 (37.3)	1.171 (29.7)				
PGSB-8A	1.500 (38.1)		1.578 (40.1)	1.250 (31.7)				

White color available by special order only.

Markets

- Electrical
- Telecommunications
- White Goods
- Consumer Electronics



Other Related Richco Product Solutions

