



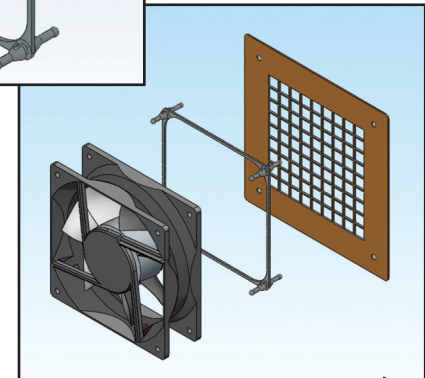
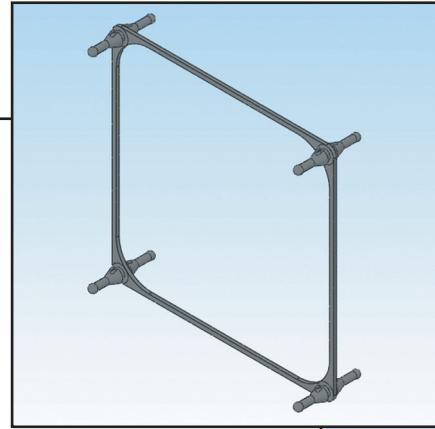
NEW PRODUCT BULLETIN

03/07-3

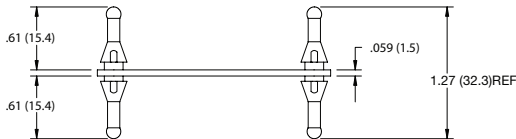
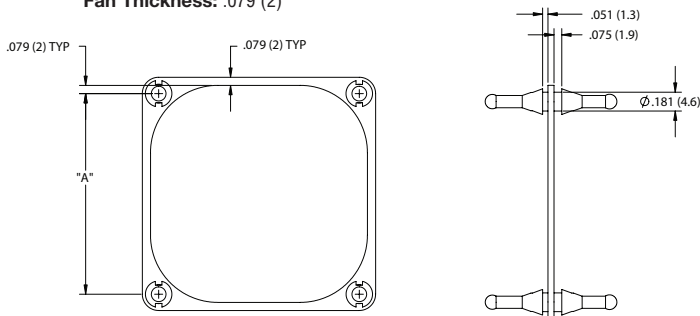
Introducing the *FMG*— Fan Mount with Gasket

Features and Benefits

- The benefit of 4 rubber fan mounts along with air sealing in one product
- Gasket helps reduce airflow leakage between fan and panel
- Provides vibration control and noise reduction
- Available in 3 sizes for 60mm, 80mm, and 120mm fans
- Custom configurations available
- Temperature range -4° to 194°F (-20° to 90°C)



Fan Hole: $.197 \pm .039$ (5 ± 0.1)
Fan Thickness: .079 (2)

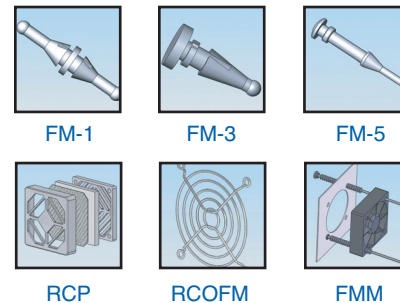


Panel Hole: $.197 \pm .039$ (5 ± 0.1)
Panel Thickness: .055 (1.4)

Markets

- Consumer Electronics
- White Goods
- Telecommunications

Other Related Richco Product Solutions



Material: EPDM Rubber 40 Shore A, RMS-180	
Color: Black	
Standard Pack: 100 per bag	
Part No.	"A" As Assembled
FMG-1	1.969 (50)
FMG-2	2.815 (71.5)
FMG-3	4.142 (105.2)

