



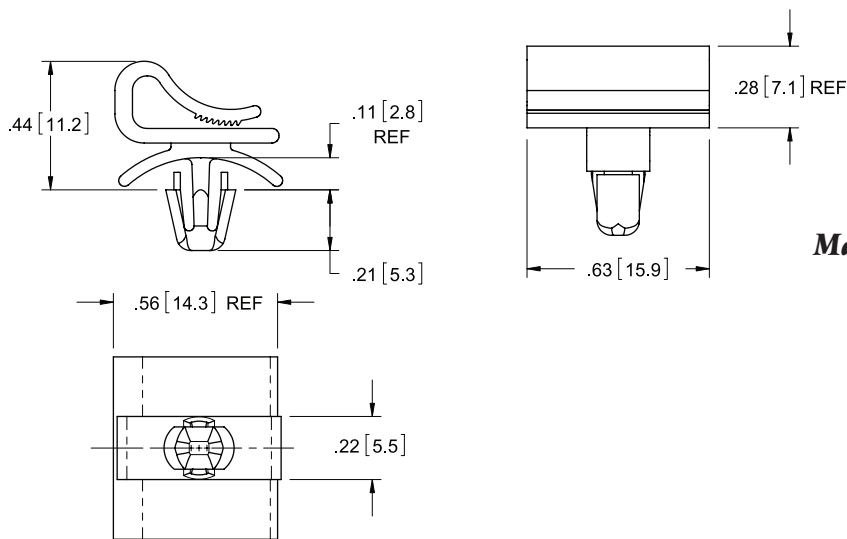
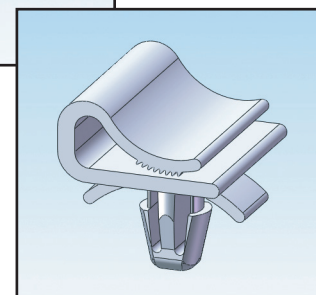
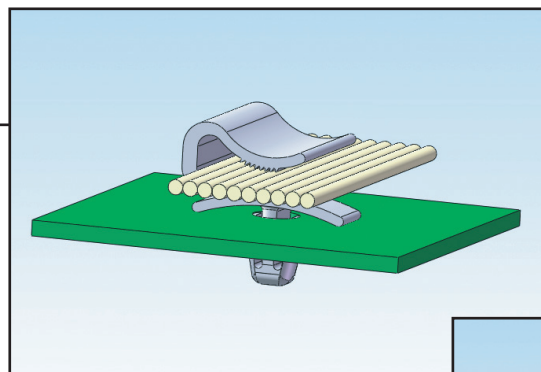
# NEW PRODUCT BULLETIN

03/07-1

## Introducing the **CFCCA**— Flat Cable Clamp - Arrowhead Mount

### Features and Benefits

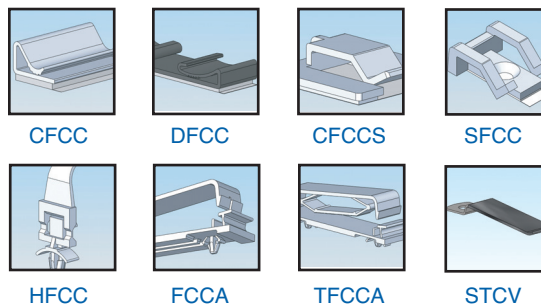
- Secures flat cables
- Serrated grip prevents cable from slipping
- Easily installed into panel
- Made in durable Nylon 6/6 material



### Markets

- Consumer Electronics
- White Goods
- Automotive
- Telecommunications

### Other Related Richco Product Solutions



Material: Nylon 6/6, RMS-01* Color: Natural		
Standard Pack: 1,000 per bag		
Part No.	Mounting Hole $\pm$ .003 (0.08)	Panel Thickness
CFCCA-1-01	.187 (4.75)	.031-.078 (0.79-1.98)
*UL94 V0 material by special order only. To order, replace -01 with -19.		

