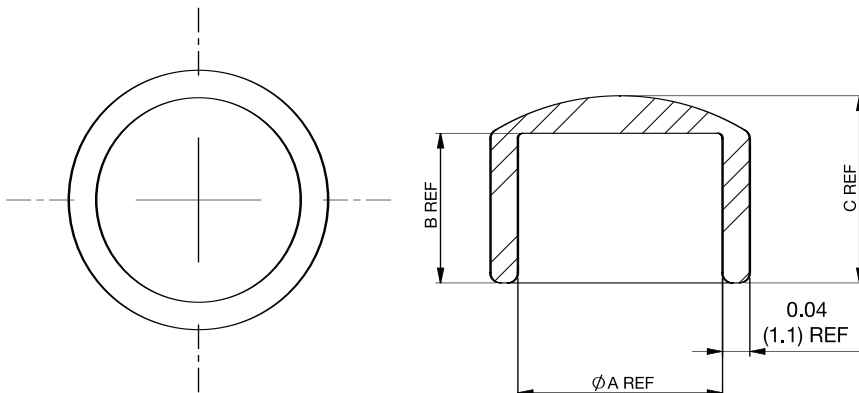
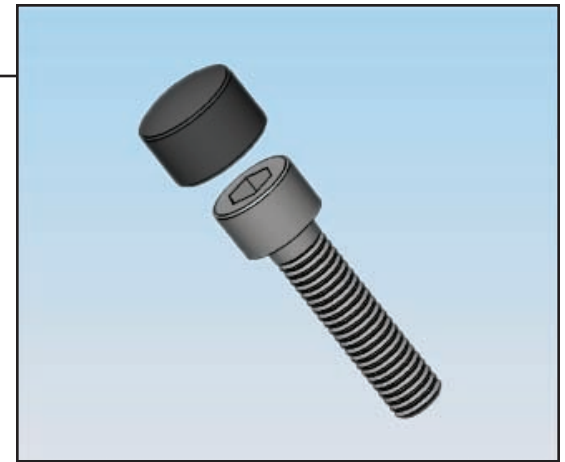


Introducing the *SC1* Flexible Screw Cap

Features and Benefits

- Covers screws and protects it from dust and dirt
- Flexible and durable material
- Suitable for metric and imperial socket button head screws
- Aesthetic surface finish
- Other sizes available by special order



Markets

- Machinery Industry
- Furniture Industry
- Automotive
- Aerospace
- Point of Purchase

Other Related Richco Product Solutions



NNE



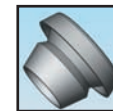
NWE



NMS



NSE



BP



LTP

Material: Silicone Rubber, RMS-387 Color: Black				
Standard pack: 1,000 per bag				
Part number	Screw Size	"A"	"B"	"C"
SC1-M4	#8, M4	.264 (6.7)	.197 (5)	.256 (6.5)
SC1-M5	1/4, M5	.323 (8.2)	.236 (6)	.295 (7.5)
SC1-M6	5/16, M6	.382 (9.7)	.276 (7)	.335 (8.5)