



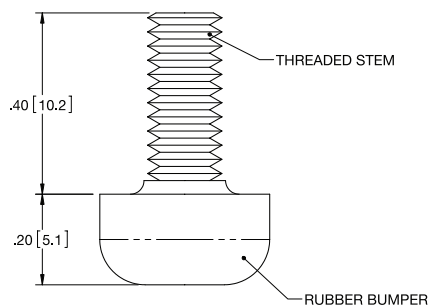
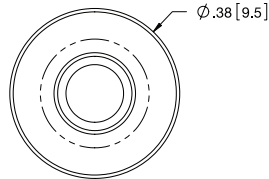
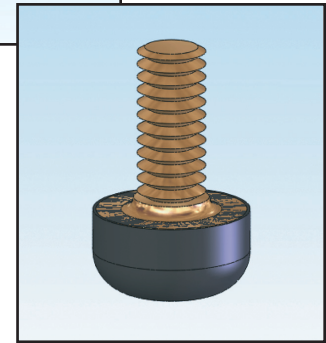
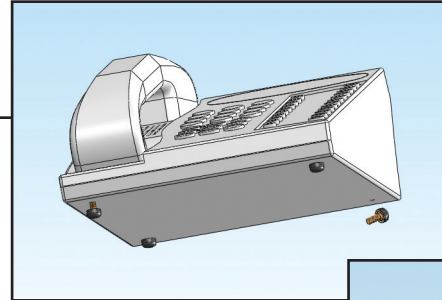
NEW PRODUCT BULLETIN

03/07-4

Introducing the **TB—** **Threaded Rubber Bumper**

Features and Benefits

- Prevents surface damage with anti-skid and scratch resistant properties
- Bumper is made of abrasion resistant rubber to help cushion and provide vibration control
- Corrosion resistant
- Threaded stud is easy to install and remove
- Rigid brass stud provides strong hold
- Available in both metric and imperial threads
- Typical Compression for 10 lb max load = .03 (0.8)



Material: Rubber Bumper: IIR, Shore 40-50A Durometer, RMS-348 Threaded Stem: Brass, RMS-349 Color: Black

Standard Pack: 100 per bag

Part No.	Thread Type
TB-1	#6-32
TB-2	#8-32
TB-3	M3
TB-4	M4

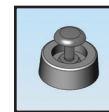
Markets

- Consumer Electronics
- White Goods
- Communication Devices
- Automotive
- Furniture

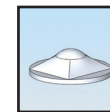
Other Related Richco Product Solutions



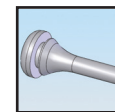
POF



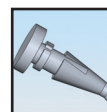
FF



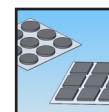
RBS



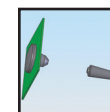
BPM



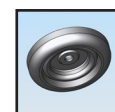
FM



ASPR/ASPS



BAB



SVF

