



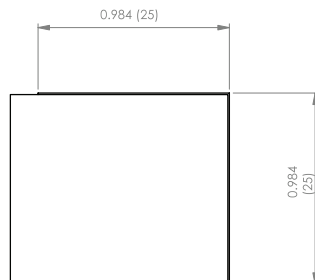
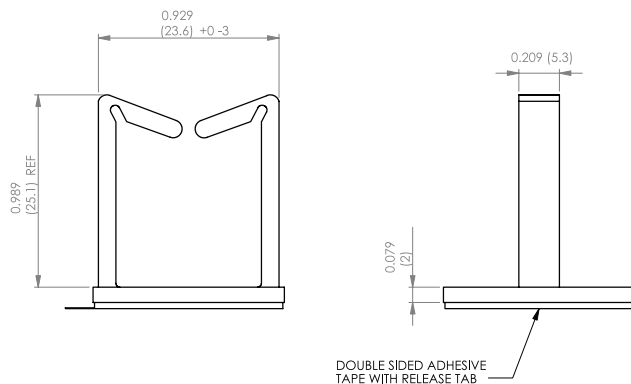
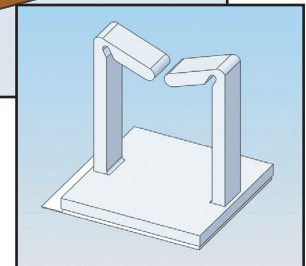
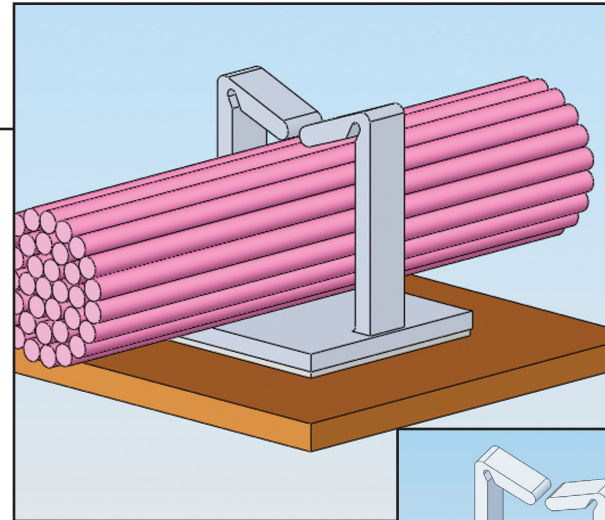
NEW PRODUCT BULLETIN

02/07-2

Introducing the **WWSB**— Wire Saddle On Adhesive Base

Features and Benefits

- Fast, secure and easy installation, just pull the release tab from the adhesive base
- One size fits a range of cable diameters
- Quick assembly and routing of wires
- Wires are easily installed and secured by pressing through the flexible, funnel system
- Durable UL94-HB certified Nylon



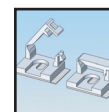
Markets

- Consumer Electronics
- White Goods

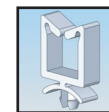
Other Related Richco Product Solutions



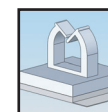
WWS



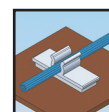
WSLTB



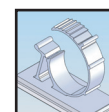
WS



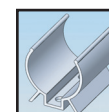
MWSEB



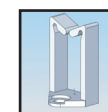
KNU



AKKL



VM



WS-SR

WWSB-3-148A-RT
Mat'l: Nylon 6/6, RMS-148 Double Adhesive Back, RMS-324
Color: Natural
Standard Pack: 1,000 per bag

