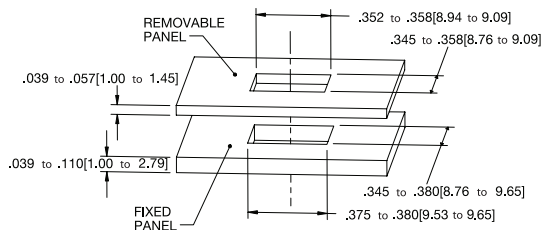
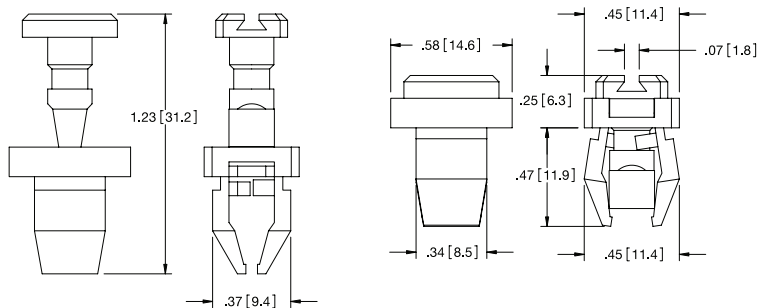
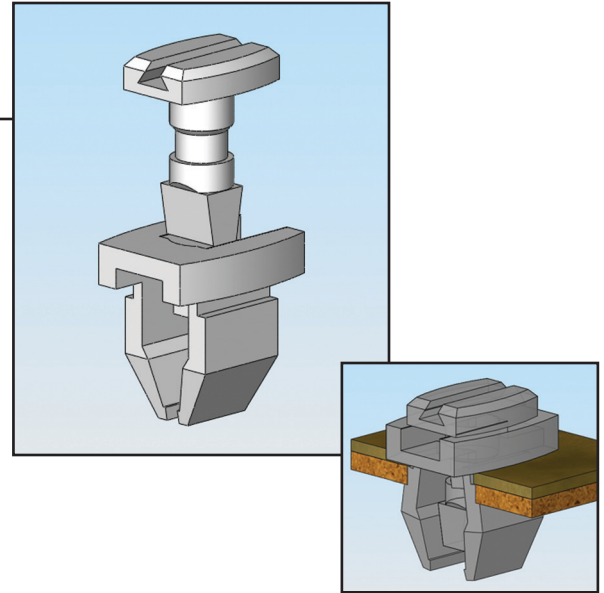


Introducing the *FQT-1*— Panel Fastener, Quarter Turn

Features and Benefits

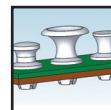
- Simultaneously installs in both panels and frame with a tap on the head of the fastener with a hammer
- With a screw driver or coin, a quarter turn releases panel, yet retains fastener in removable panel
- Molded in a one piece design requiring fewer parts and lower cost
- Low Profile
- Can be used multiple times



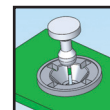
Markets

- Computers
- Telecommunications
- Appliances
- Medical Equipment

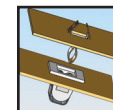
Other Related Richco Product Solutions



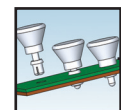
SLPX



CS



DCS



SRT

| |
|------------------------------------------|
| FQT-1 |
| Material: Acetal: RMS-14 Color: White |
| Standard Pack: 1,000 per bag |

