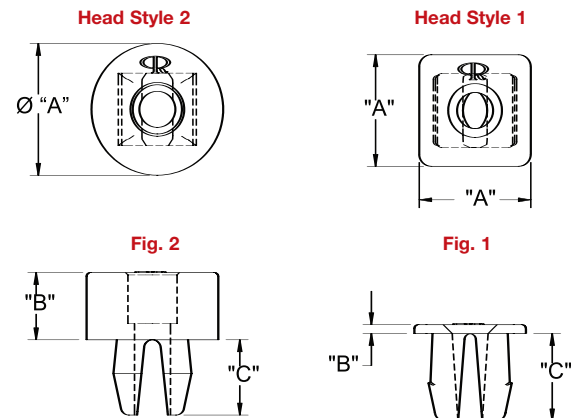
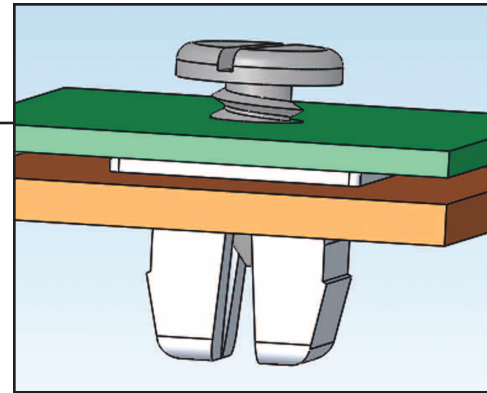


Introducing the **SRSG**— Self-Retaining Screw Grommet Line Extension

Features and Benefits

- Grommet snaps into place first for ease of assembly and screw installation
- When self threading screw is installed, the grommet expands and securely locks the screw and assembled parts in place
- Spreads load over a wide area
- Insulates areas of an assembly from electrical and thermal transfer
- Square mounting hole prevents rotation
- Usage of a self-tapping screw eliminates cross-threading
- Parts are molded in natural color in durable Nylon 6/6



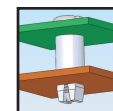
SRSG				Standard Pack: 1,000 per bag				
Mat'l: Nylon 6/6, RMS-01 Color: Natural	"A" Head Size	"B" Head Thickness	"C" Prong Length	Mounting Hole Size (Square)	Panel Thickness Range	Screw Size	Fig.	Head Style
SRSG6-04-01	.38x.38 (9.7x9.7)	.04 (1)	.280 (7.1)	.245-.255 (6.22-6.48)	.031-.125 (0.79-3.18)	#6	1	1
SRSG-1D	.490 (12.4) Dia.	.240-.260 (6.1-6.6)		.281-.286 (7.14-7.26)	*.031-.109 (0.79-2.77)	#8 or #10	2	2
SRSG-2D		.307-.317 (7.8-8.1)						
SRSG-3D		.360-.390 (9.1-9.9)						
SRSG-4D		.485-.515 (12.3-13.1)						
SRSG-5D		.610-.640 (15.5-16.3)						
SRSG-6D		.672-.702 (17.1-17.8)						
SRSG-7S	.405x.405 (10.3x10.3)	.028 - .038 (0.7 - 1)	.325 (8.3)	.275-.290 (6.99-7.37)	.031-.130 (0.79-3.3)	1	1	
SRSG-8S	.057 - .067 (1.4 - 1.7)	.280-.295 (7.11-7.49)		.031-.156 (0.79-3.96)	1			2
SRSG-9D	.500 (12.7) Dia.		.093-.103 (2.4-2.6)					
SRSG-10D	.125-.135 (3.2-3.4)							
SRSG-11D	.360-.390 (9.1-9.9)							

*At minimum panel thickness, part will only function with a #10 screw.

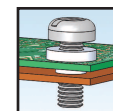
Markets

- Automotive
- Consumer Electronics
- Appliances
- Security Systems
- Office Equipment
- Telecom Equipment

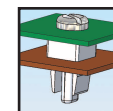
Other Related Richco Product Solutions



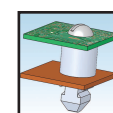
MSNE



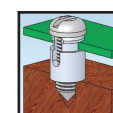
MNI



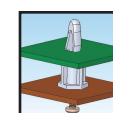
SG



SN



SRS



TCBS