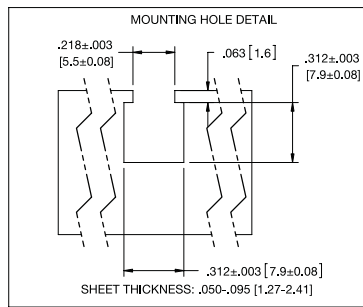
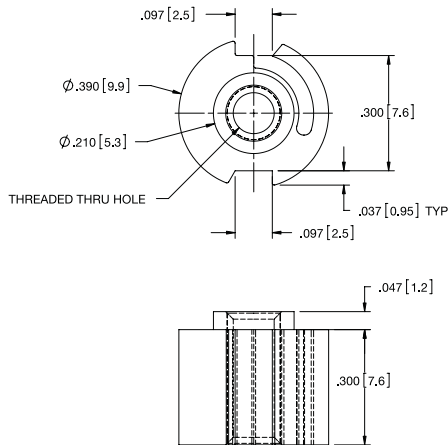
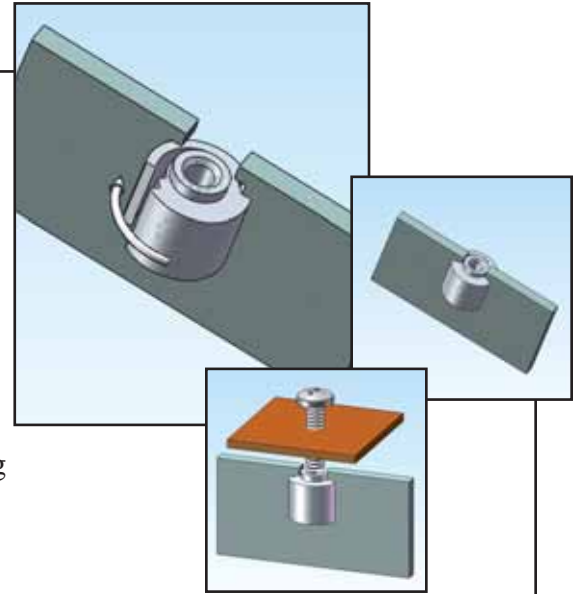


Introducing the *SEI*— Sheet Metal Edge Fasteners

Features and Benefits

- Provides strong threads in metal sheets too thin to be tapped
- Reduces hardware
- Allows for right angle assemblies
- Alternate to self-clinching fasteners
- Easily installed by rotating in the side of the panel
- Available in two internal threads; #6-32 and M4
- Can be easily removed by pinching the spring leg and rotating



Markets

- Automotive
- Telecommunications
- Computers
- Consumer Electronics

SEI	Standard Pack: 1,000 per bag
Material: UL94 V2 Nylon 6/6, RMS-01 Color: Black	Thread Type
SEI-1	#6-32 UNC
SEI-2	M4
Tool Required for Screw Installation	

Other Related Richco Product Solutions



SS



MTS



SRS



MSNE



NSE



BR

