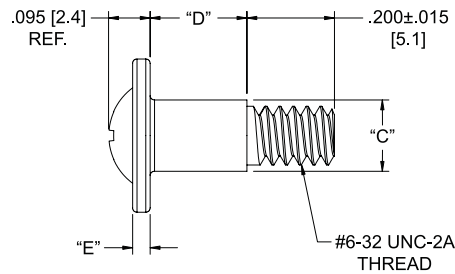
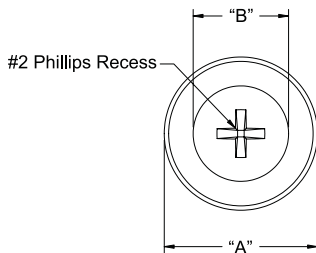
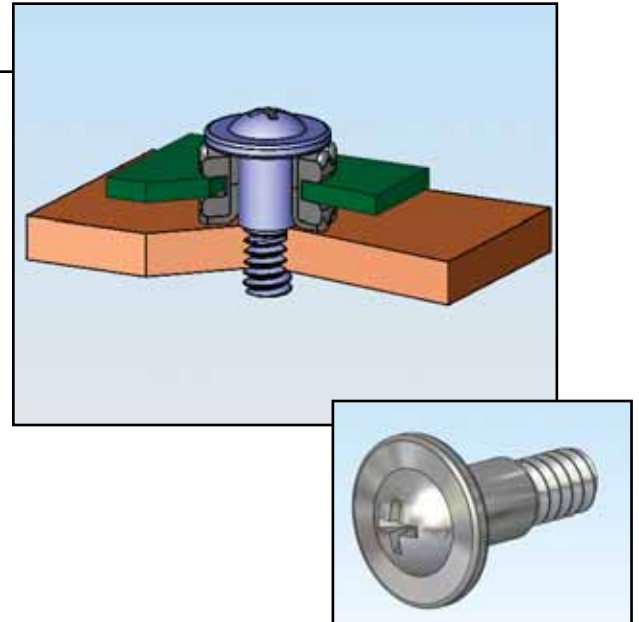


## Introducing the VGS Metal Screws for VG Series Grommets

### Features and Benefits

- VGS screws are designed to mount the VG series Vibration Grommets in application
- The grommet is designed to control noise and vibration, and the unique rib design maximizes performance
- The screw mounts the grommet and hard drive or other device to the chassis, controlling compression
- The special collar on the screw head provides maximum loading on the grommet, adding to vibration damping



### Markets

- Servers
- HDD Equipped Devices
- Office Equipment
- Gaming Machines
- TV's, DVR's, DVD-R's, Set Top Boxes

Part Number	Use With Grommet Part Number	"A" ±.010	"B" REF.	"C" ±.004	"D" ±.005	"E" ±.005
VGS-1	VG-1, VG-3	.350 (8.9)	.218 (5.5)	.163 (4.1)	.205 (5.2)	.050 (1.3)
VGS-2	VG-2, VG-4	.500 (12.7)	.320 (8.1)	.194 (4.9)	.290 (7.4)	.040 (1)
VGS-3	VG-5	.350 (8.9)	.218 (5.5)	.146 (3.7)	.195 (5)	.050 (1.3)

VG Grommets are sold seperately. Please see 'VG' drawing for dimensions and details.

### Other Related Richco Product Solutions



VG



SDD



VD/HSCBS



QM



PSC



TCS

