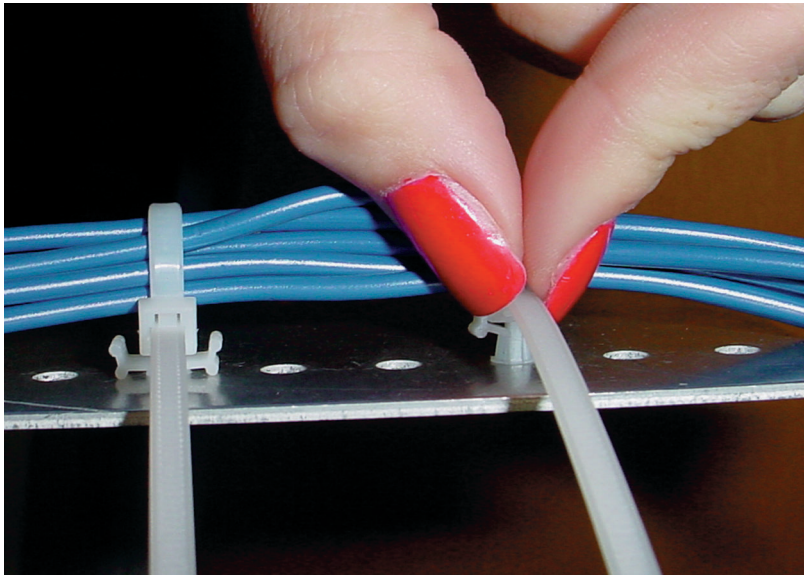




Richco®

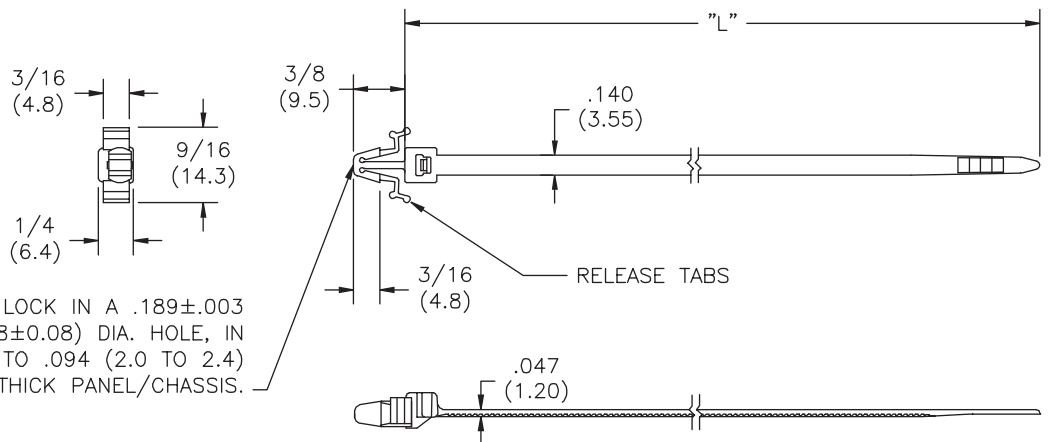
RELEASABLE ARROWHEAD HARNESS TIE



NEW PRODUCT RELEASE

Richco Inc. has added the **WIT-30XAR** series to our extensive line of cable ties. The ties are self mounted with an arrowhead design that snaps quickly into a pre-drilled hole. One of these “self-mount” cable ties replaces the need for a cable tie and flat tie holder assembly. The cable tie, with removable attachment, provides a permanent locking method of bundling cables or wires. The unique design of arrowhead allows the user to remove the tie from the hole by pinching the release tabs at the top of the arrowhead. These parts are available in two different lengths and have thirty pound tensile strength. To view all cable tie styles, refer to Richco’s catalog or the Richco website at www.Richco-inc.com

RELEASABLE ARROWHEAD HARNESS TIE



TO SNAP LOCK IN A $.189 \pm .003$
(4.8 ± 0.08) DIA. HOLE, IN
A $.079$ TO $.094$ (2.0 TO 2.4)
THICK PANEL/CHASSIS.

TARGET MARKETS

- COMPUTER
- DATACOM
- TELECOM
- APPLIANCE

PART FEATURES

- Releasable arrowhead
- Self-mounting
- Two different lengths
- 30 pound tensile strength

Material: Nylon 6/6 (RMS-01) • Color: Natural

Part No.	Standard Pack: 1000 pieces		
	"L" Length Approx.	Max. Bundle Dia.	Min. Loop Tensile (lbs.)
WIT-30RAR1-2	4.75 (120.7)	1.00 (25.4)	30
WIT-30LAR1-2	5.75 (146.0)	1.50 (38.1)	

BENEFITS

- Allows the user to remove tie from board or harness
- Replaces a two piece part assembly
- Quick and easy way to permanently bundle cables or wires